

EBDB15 - DRAIN BOARD

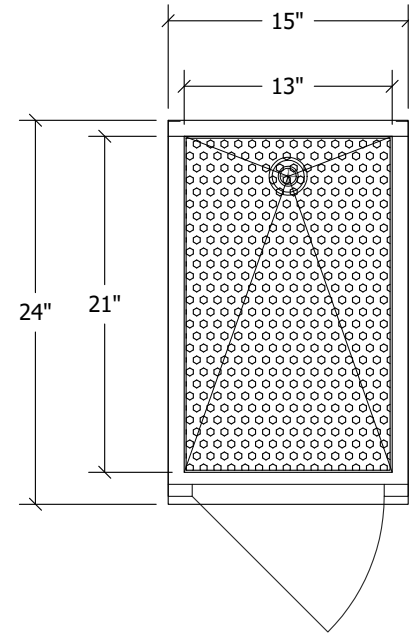
ITEM ##### - SCALE: #'' = 1'-0''

1 EACH

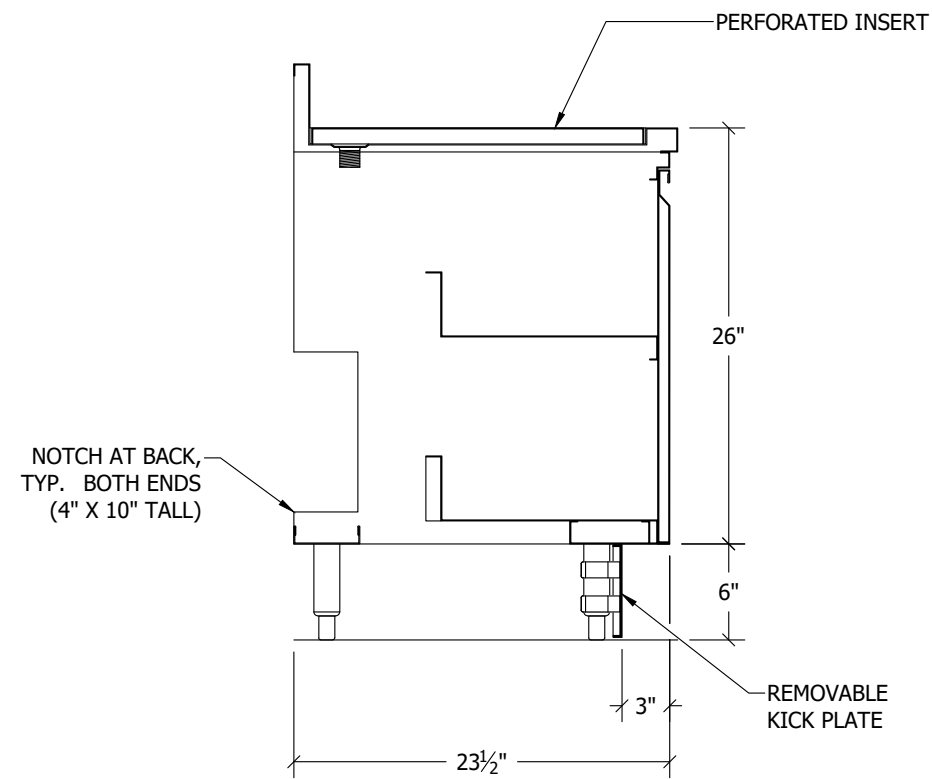
MATERIALS & FINISHES

(WHERE APPLICABLE)

- **WORKING SURFACE & TUB(S):** 16GA 304 SERIES S/S, #4 FINISH
- **PERFORATED INSERT:** 18GA 304 SERIES S/S, #4 FINISH
- **UNDERSTRUCTURE:** 16GA GALVANIZED
- **CABINET BODY & FLOOR SHELF:** 18GA S/S, #4 FINISH
- **LEGS:** ϕ 1-5/8" 16GA S/S TUBING & ADJ. BULLET FEET
- **DRAIN(S):** BY EUROBAR
 - ϕ 1" BRASS DRAIN, 1" NPT, 3/4" TALL - QTY (1)
- **MOUNTING CLIPS:** 1 EA PER 24" OF BACKSPLASH

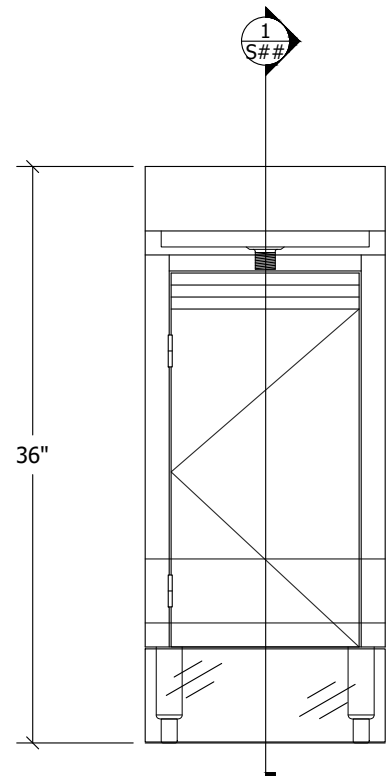


PLAN VIEW

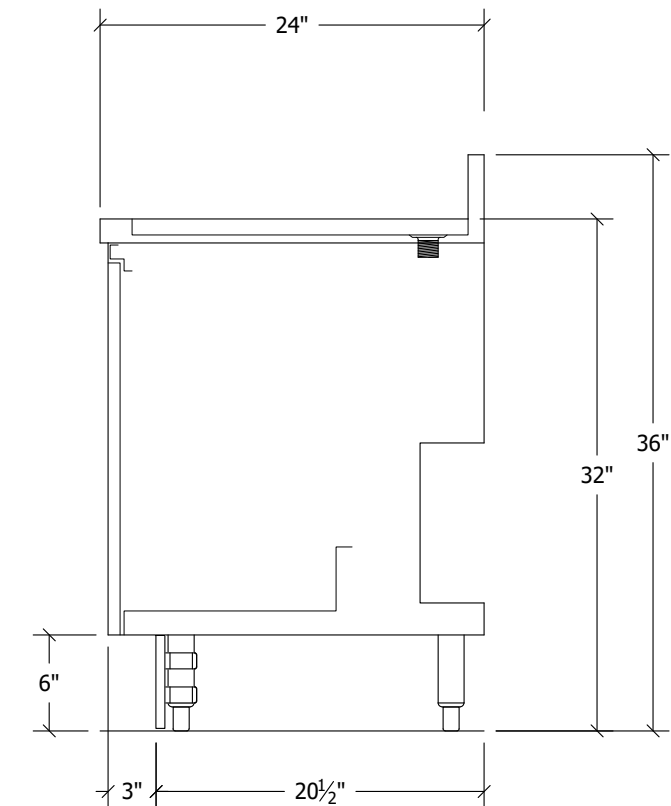


SECTION VIEW

Scale: #'' = 1'-0''



FRONT VIEW



SIDE VIEW

CUSTOMER:

ITEM NO: EBDB15

MAIN SCALE: 1

13

SECTION SCALE: 1

EUROBAR
MASTER DRAWING
11x17 PAGE FORMAT

REVISIONS

Proj. Mgr:	
Drawn By:	
Drawn Date:	