

**EBDB24 - DRAIN BOARD**

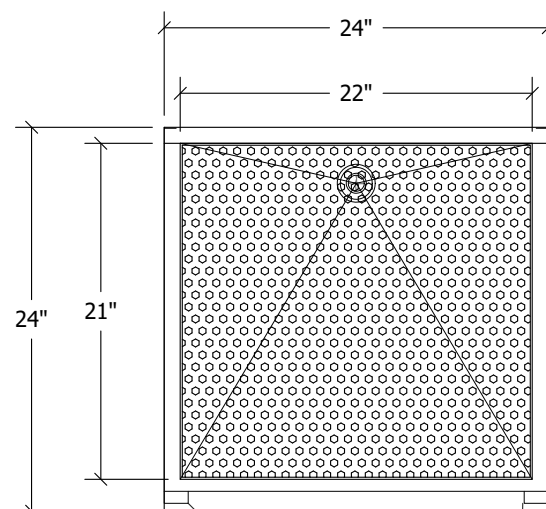
ITEM ##### - SCALE: # = 1'-0"

**1 EACH**

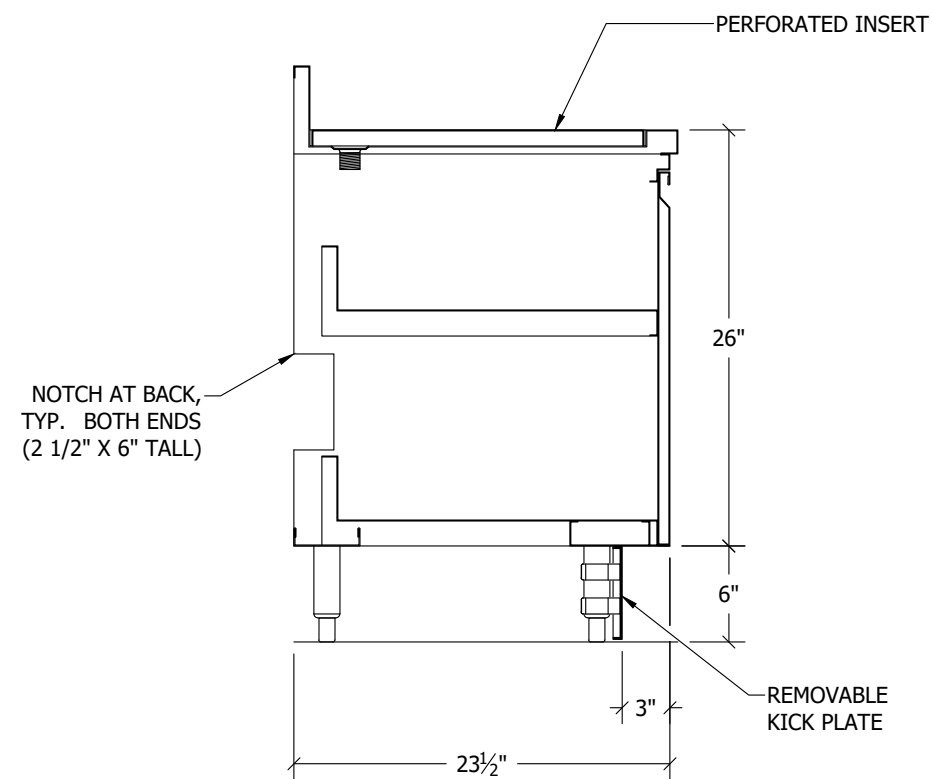
**MATERIALS & FINISHES**

(WHERE APPLICABLE)

- **WORKING SURFACE & TUB(S):** 16GA 304 SERIES S/S, #4 FINISH
- **PERFORATED INSERT:** 18GA 304 SERIES S/S, #4 FINISH
- **UNDERSTRUCTURE:** 16GA GALVANIZED
- **CABINET BODY & FLOOR SHELF:** 18GA S/S, #4 FINISH
- **LEGS:**  $\phi$ 1-5/8" 16GA S/S TUBING & ADJ. BULLET FEET
- **DRAIN(S):** BY EUROBAR
  - $\phi$ 1" BRASS DRAIN, 1" NPT, 3/4" TALL - QTY (1)
- **MOUNTING CLIPS:** 1 EA PER 24" OF BACKSPLASH

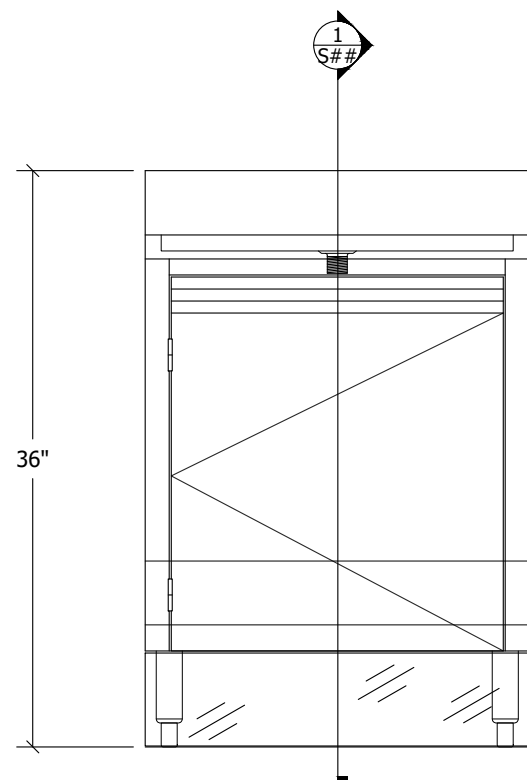


**PLAN VIEW**

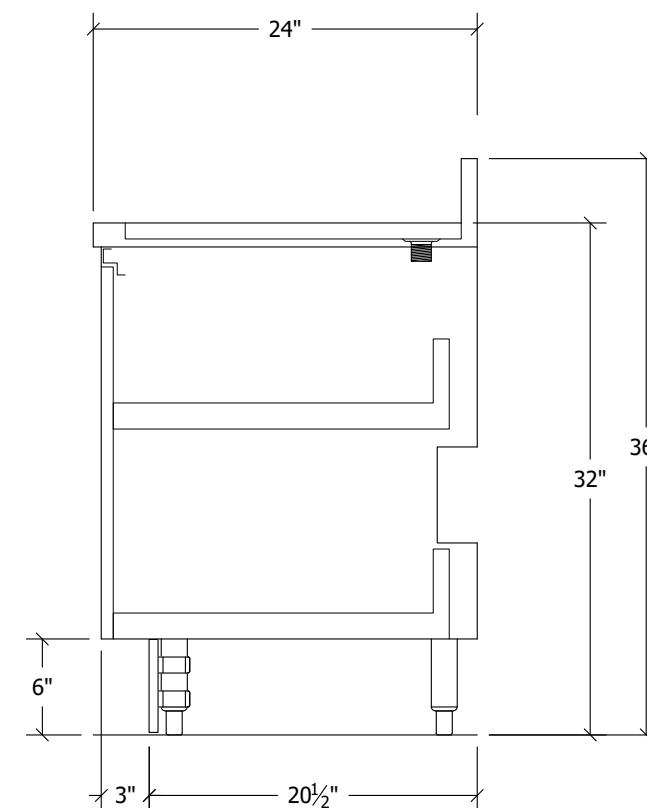


**SECTION VIEW**

Scale: # = 1'-0"



**FRONT VIEW**



**SIDE VIEW**

CUSTOMER:

ITEM NO: **EBDB24**  
 MAIN SCALE: **1**  
 SECTION SCALE: **1**

**15**

REVISIONS	

Proj. Mgr:  
 Drawn By:  
 Drawn Date: