

SHIP BUY OUTS TO
FACTORY FOR
INSTALLATION

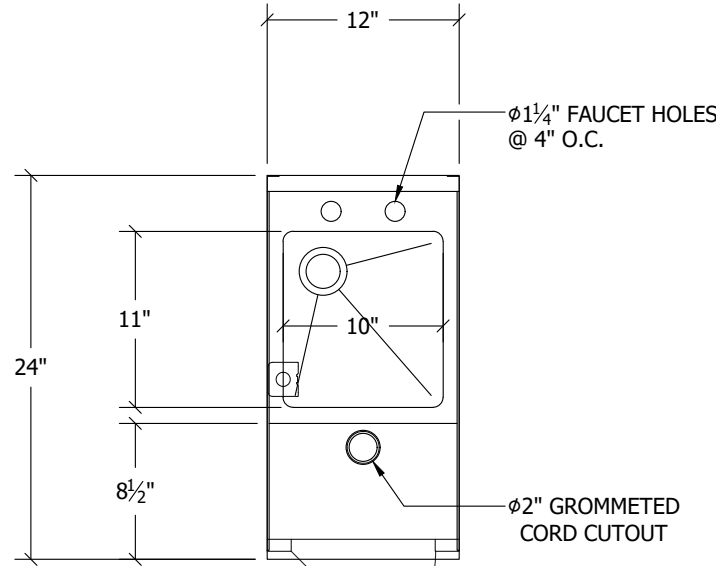
MATERIAL BUY-OUT LIST					
ITEM #	DESCRIPTION	MAKE / PART NUMBER	QTY	SUPPLIED BY	INSTALLED BY
—	FAUCET	T&S BRASS / 5F-4CLX06	1	OTHERS	EUROBAR

EBDSBS12 - BLENDER STATION
ITEM EBDSBS12 - SCALE: 1" = 1'-0"

MATERIALS & FINISHES

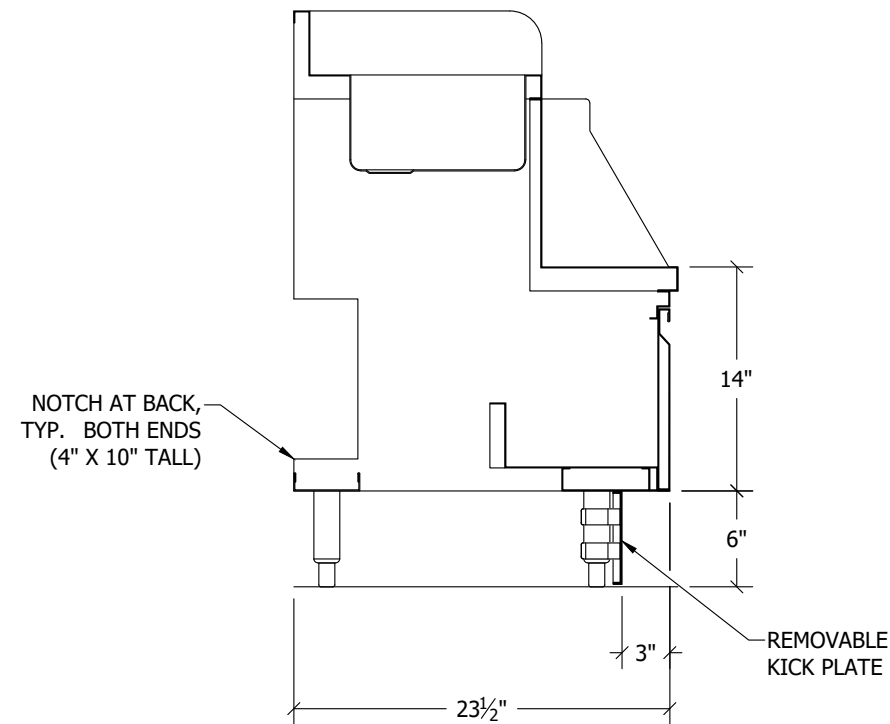
(WHERE APPLICABLE)

- WORKING SURFACE & TUB(S): 16GA 304 SERIES S/S, #4 FINISH
- UNDERSTRUCTURE: 16GA GALVANIZED
- CABINET BODY & FLOOR SHELF: 18GA S/S, #4 FINISH
- LEGS: ϕ 1-5/8" 16GA S/S TUBING & ADJ. BULLET FEET
- FAUCET(S): PROVIDED BY OTHERS, INSTALLED BY EUROBAR
- DRAIN(S): BY EUROBAR
- ϕ 1 1/2" BASKET DRAIN, 1 1/2" NPT - QTY (1)
- ELECTRICAL PROVISIONS BY EUROBAR (ELECTRICAL BY OTHERS)
- MOUNTING CLIPS: 1 EA PER 24" OF BACKSPLASH



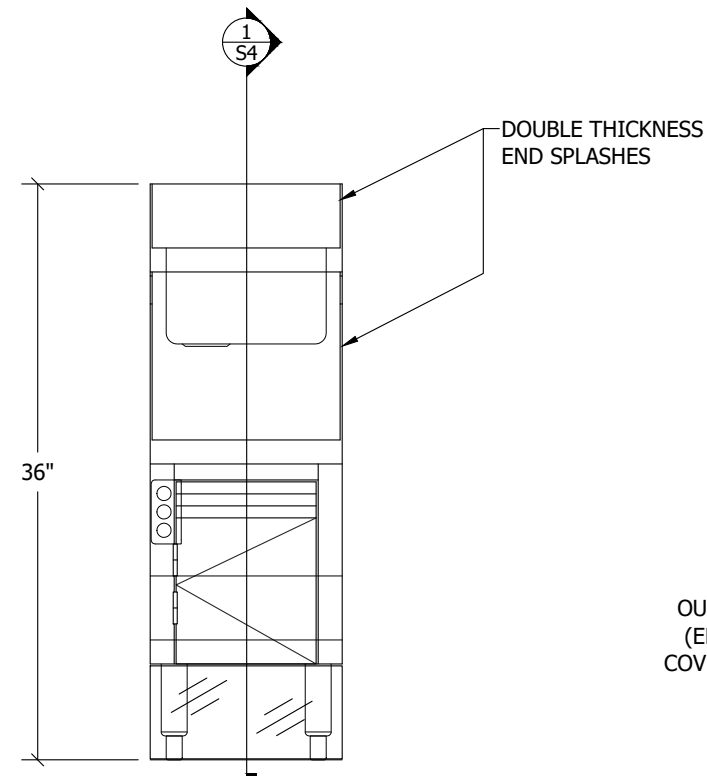
PLAN VIEW

1 EACH

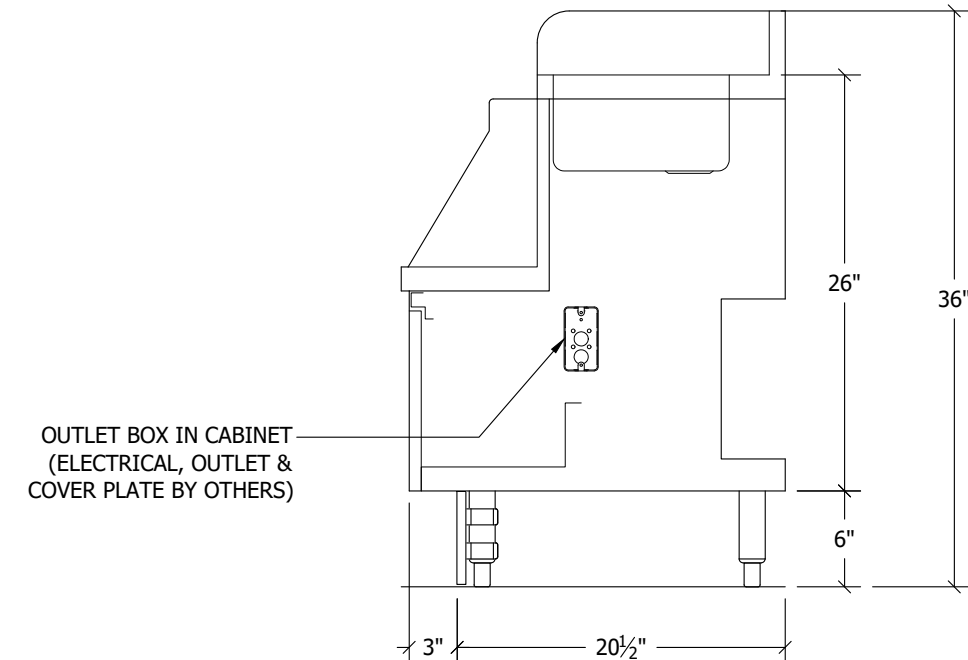


SECTION VIEW

Scale: 1"= 1'-0"



FRONT VIEW



SIDE VIEW

CUSTOMER:

CUSTOMER:

ITEM NO: EBDSBS12
EUROBAR
MASTER DRAWING
11x17 PAGE FORMAT
MAIN SCALE: 1
SECTION SCALE: 1

4

REVISIONS

NO.	DESCRIPTION

Proj. Mgr:	
Drawn By:	
Drawn Date:	