

SHIP BUY OUTS TO
FACTORY FOR
INSTALLATION

MATERIAL BUY-OUT LIST					
ITEM #	DESCRIPTION	MAKE / PART NUMBER	QTY	SUPPLIED BY	INSTALLED BY
—	FAUCET	T&S BRASS / 5F-4CLX06	1	OTHERS	EUROBAR

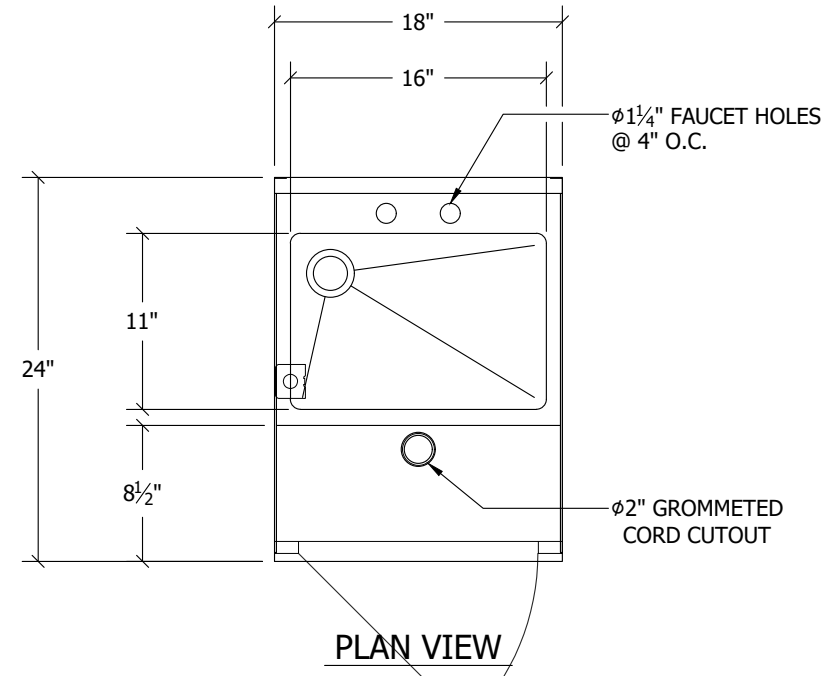
EBDSBS18 - BLENDER STATION

ITEM ##### - SCALE: #" = 1'-0"

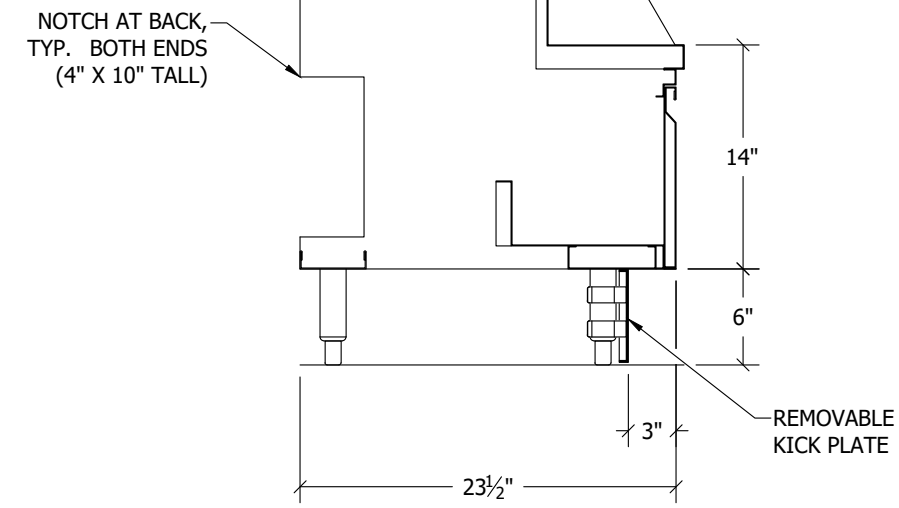
MATERIALS & FINISHES

(WHERE APPLICABLE)

- WORKING SURFACE & TUB(S): 16GA 304 SERIES S/S, #4 FINISH
- UNDERSTRUCTURE: 16GA GALVANIZED
- CABINET BODY & FLOOR SHELF: 18GA S/S, #4 FINISH
- LEGS: $\phi 1\text{-}5/8$ " 16GA S/S TUBING & ADJ. BULLET FEET
- FAUCET(S): PROVIDED BY OTHERS, INSTALLED BY EUROBAR
- DRAIN(S): BY EUROBAR
- $\phi 1\text{-}5/8$ " BASKET DRAIN, 1 $\text{-}1/2$ " NPT - QTY (1)
- ELECTRICAL PROVISIONS BY EUROBAR (ELECTRICAL BY OTHERS)
- MOUNTING CLIPS: 1 EA PER 24" OF BACKSPLASH

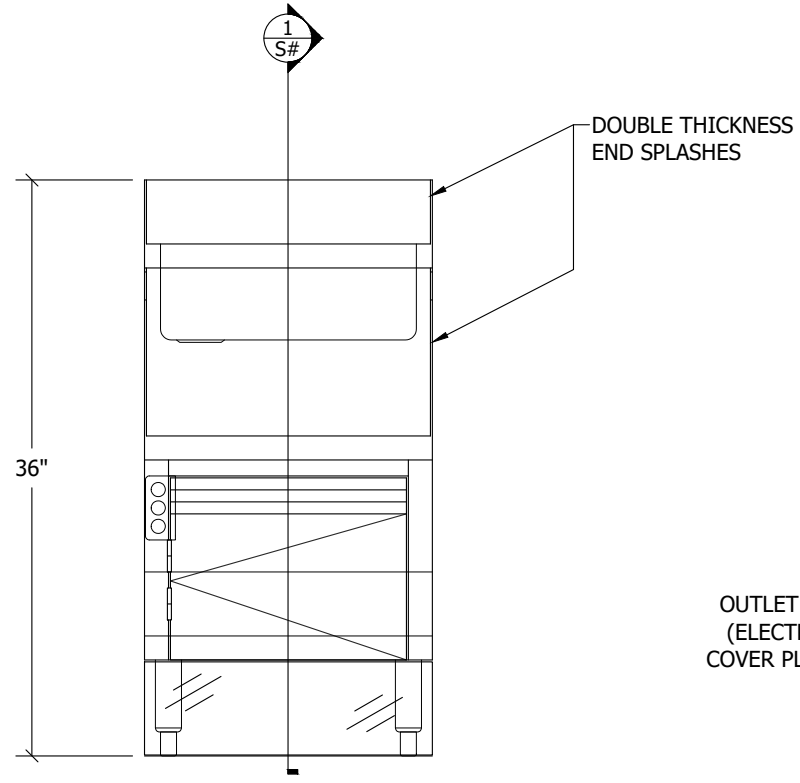


1 EACH

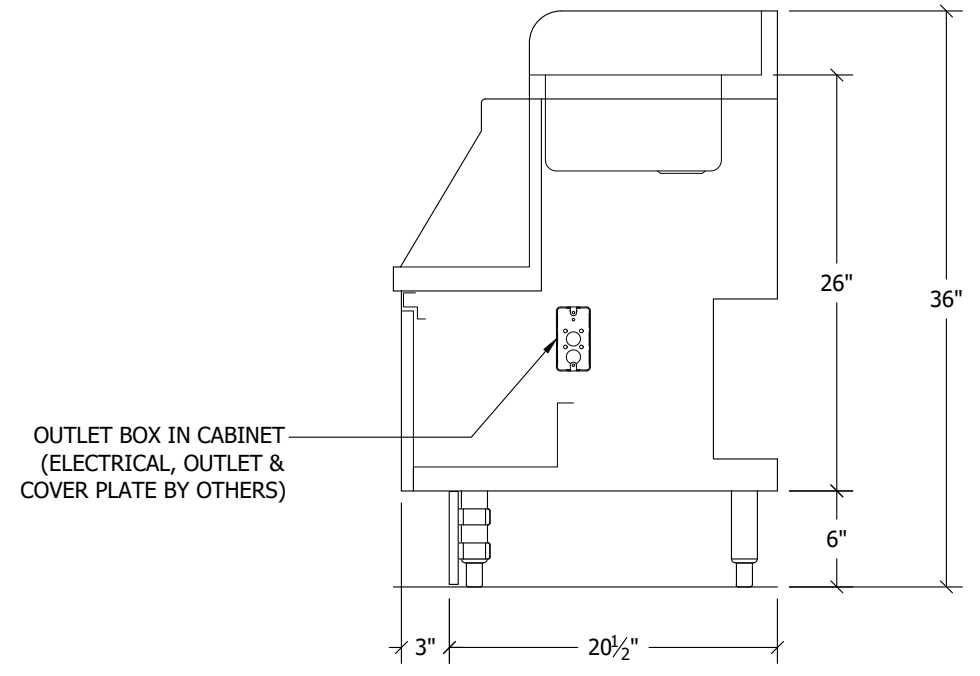


SECTION VIEW

Scale: #" = 1'-0"



FRONT VIEW



SIDE VIEW

CUSTOMER:

ITEM NO: EBDSBS18
 MAIN SCALE: 1
 SECTION SCALE: 1
 EUROBAR
 MASTER DRAWING
 11x17 PAGE FORMAT

6

REVISIONS	

Proj. Mgr:
 Drawn By:
 Drawn Date: