

MATERIAL BUY-OUT LIST

ITEM #	DESCRIPTION	MAKE / PART NUMBER	QTY	SUPPLIED BY	INSTALLED BY
—	14" S/S DRAWER SLIDES	CHG / S26-0014	1	EUROBAR	EUROBAR

EBFSU24 - WORK STATION

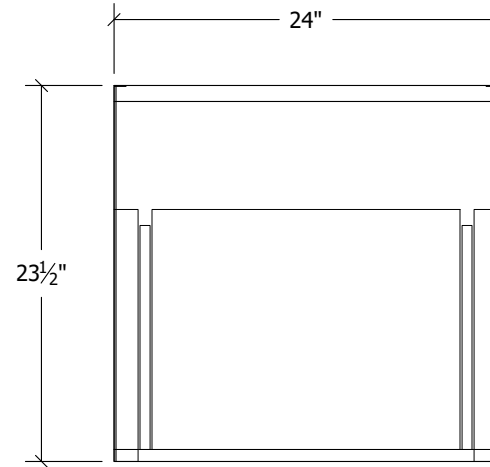
ITEM ##### - SCALE: # = 1'-0"

MATERIALS & FINISHES

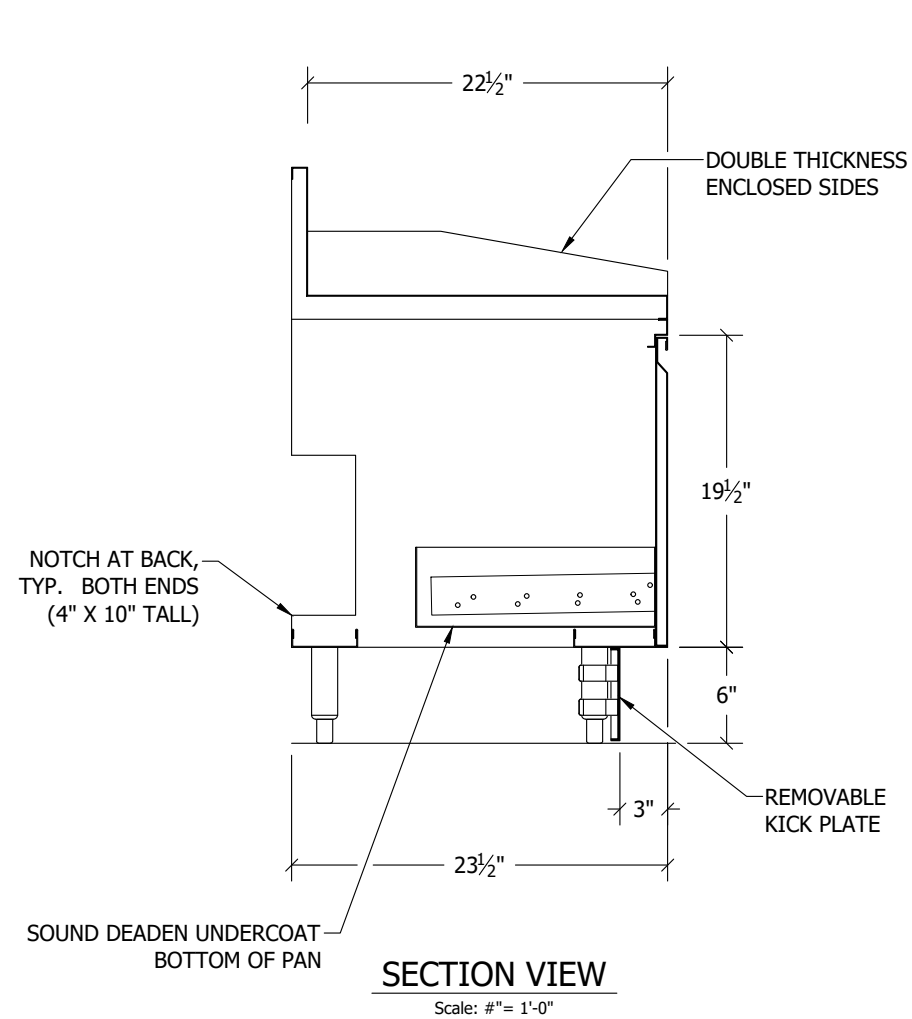
(WHERE APPLICABLE)

- WORKING SURFACE: 16GA 304 SERIES S/S, #4 FINISH
- UNDERSTRUCTURE: 16GA GALVANIZED
- CABINET BODY: 18GA S/S, #4 FINISH
- DRAWER(S): 18GA S/S, #4 FINISH
- SOUND DEADEN UNDERCOAT REQUIRED AT BOTTOM OF DRAWER PAN ONLY (SEE NOTE BELOW)
- LEGS:  $\phi$ 1-5/8" 16GA S/S TUBING & ADJ. BULLET FEET
- MOUNTING CLIPS: 1 EA PER 24" OF BACKSPLASH

1 EACH

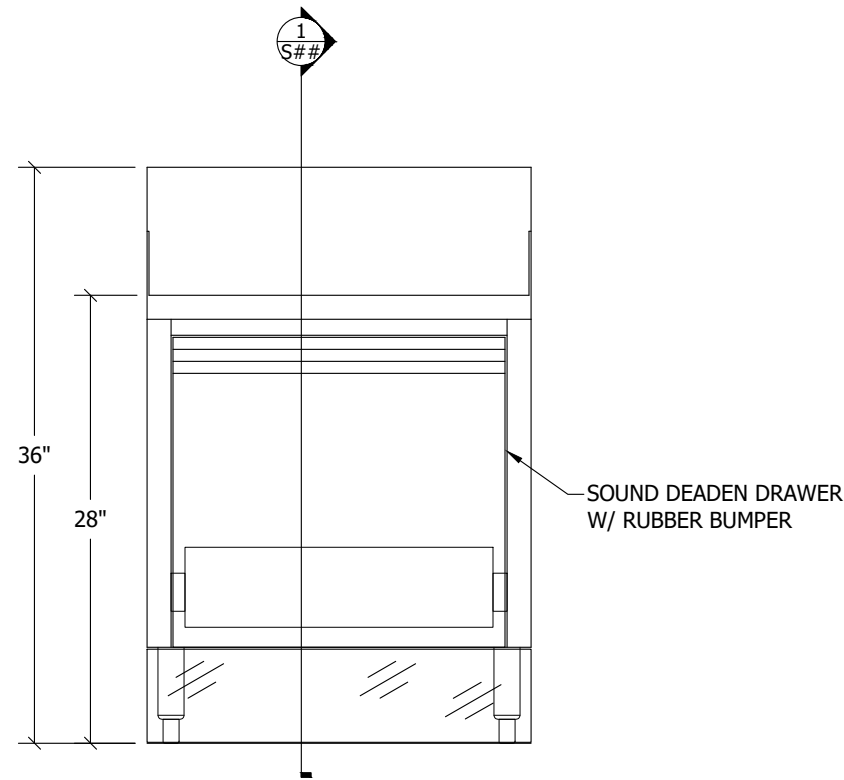


PLAN VIEW

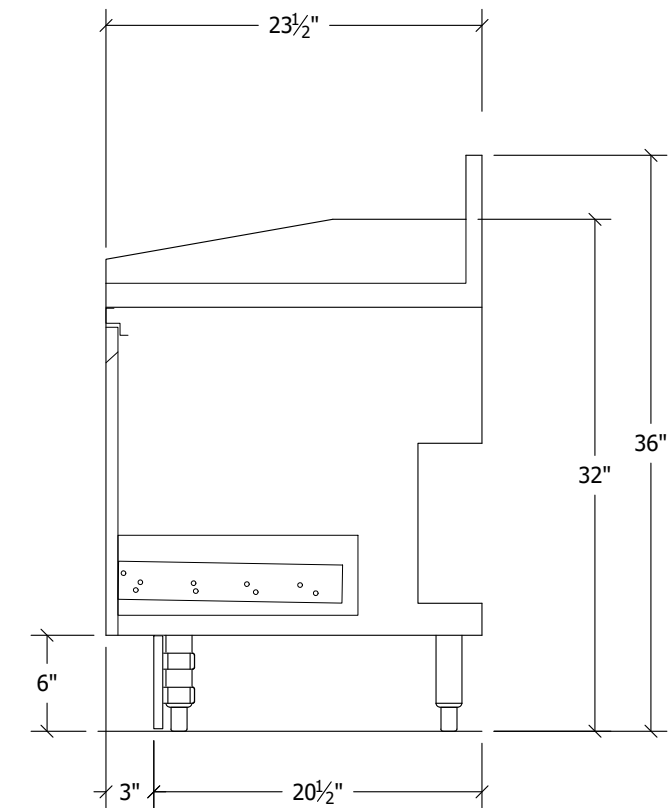


SECTION VIEW

Scale: # = 1'-0"



FRONT VIEW



SIDE VIEW

Customer:

CUSTOMER:

ITEM NO: EBFSU24  
 EUROBAR  
 MASTER DRAWING  
 11x17 PAGE FORMAT

33  
 MAIN SCALE: 1  
 SECTION SCALE: 1

REVISIONS	

Proj. Mgr:   
 Drawn By:   
 Drawn Date: