

EBIB12 - ICE BIN

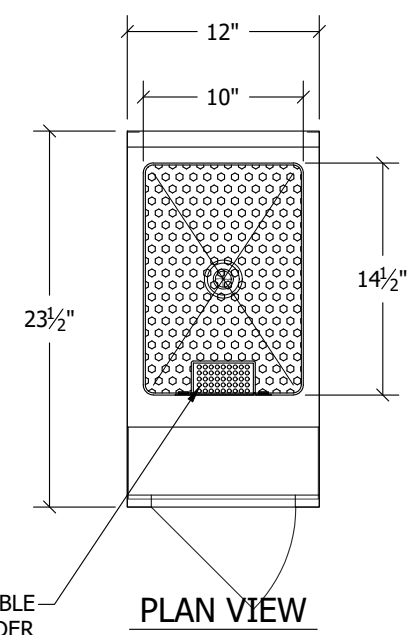
ITEM ##### - SCALE: # = 1'-0"

MATERIALS & FINISHES

(WHERE APPLICABLE)

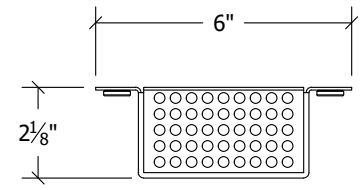
- WORKING SURFACE & TUB(S): 16GA 304 SERIES S/S, #4 FINISH
- PERFORATED INSERT: 18GA 304 SERIES S/S, #4 FINISH
- UNDERSTRUCTURE: 16GA GALVANIZED
- CABINET BODY & FLOOR SHELF: 18GA S/S, #4 FINISH
- LEGS: ϕ 1-5/8" 16GA S/S TUBING & ADJ. BULLET FEET
- DRAIN(S): BY EUROBAR
 - ϕ 1 1/2" BASKET DRAIN, 1 1/2" NPT - QTY (1)
- MOUNTING CLIPS: 1 EA PER 24" OF BACKSPLASH

1 EACH

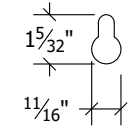


PLAN VIEW

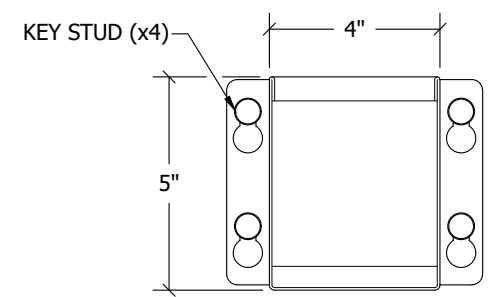
REMOVABLE SCOOP HOLDER (SEE DETAILS)



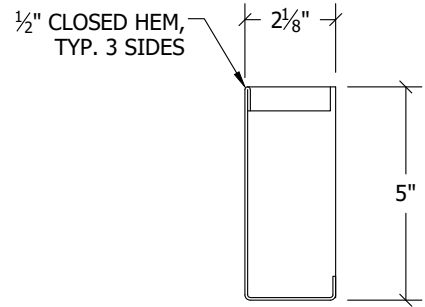
PLAN VIEW



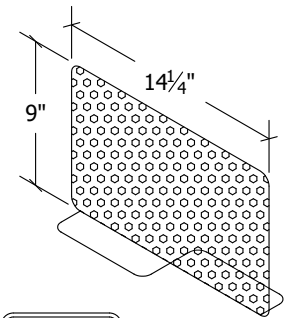
KEY HOLE DETAIL



FRONT VIEW

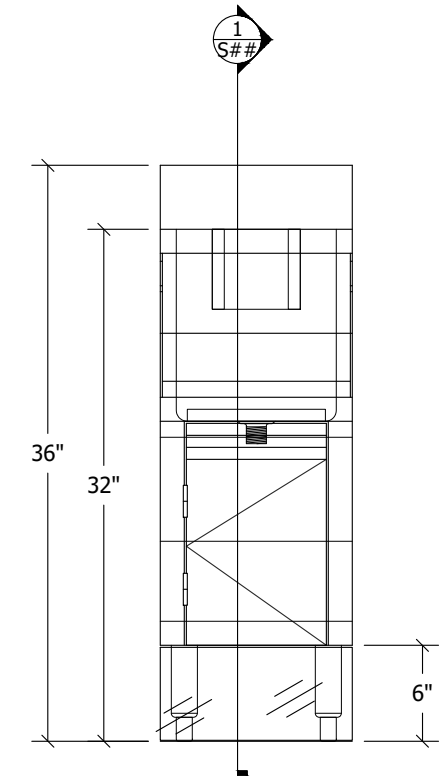


SECTION VIEW

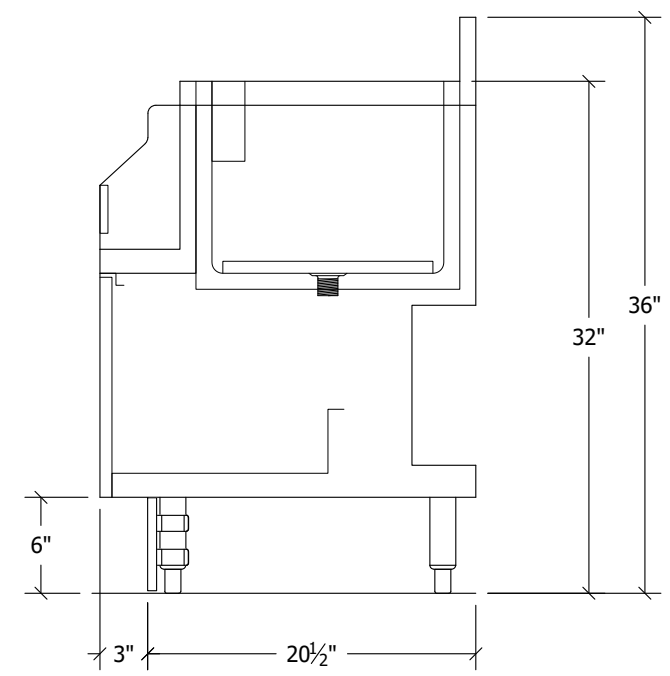


DIVIDER DETAIL

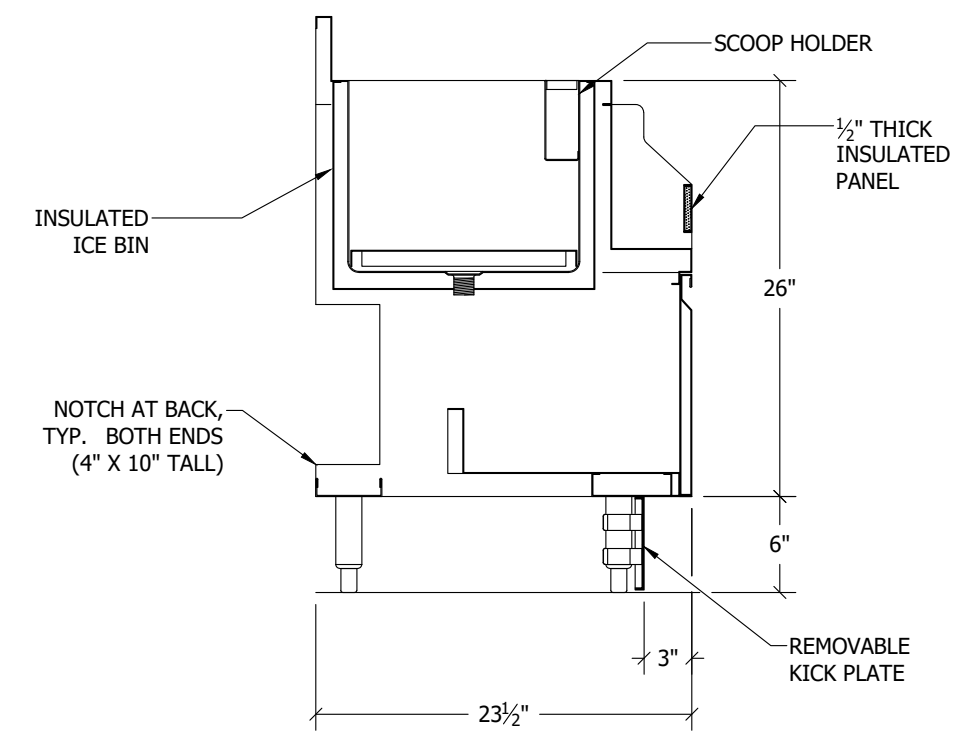
2 EACH



FRONT VIEW



SIDE VIEW



SECTION VIEW

Scale: # = 1'-0"

ITEM NO: EBIB12

MAIN SCALE: 1

SECTION SCALE: 1

19

REVISIONS

Proj. Mgr:
Drawn By:
Drawn Date:

CUSTOMER:

EUROBAR
MASTER DRAWING
11x17 PAGE FORMAT

..Revit Families (Current)\Eurobar logo.png