

EBIB15 - ICE BIN

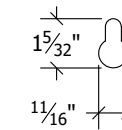
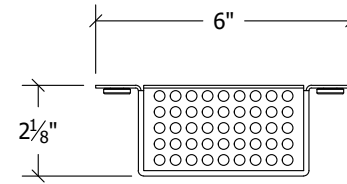
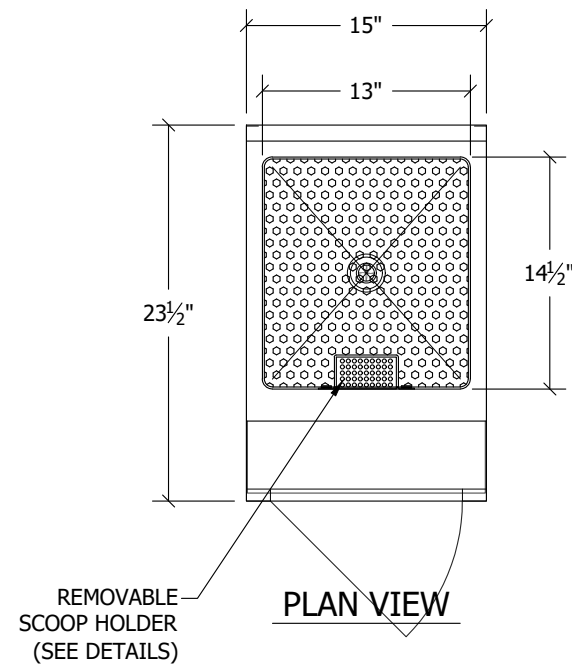
ITEM ##### - SCALE: # = 1'-0"

MATERIALS & FINISHES

(WHERE APPLICABLE)

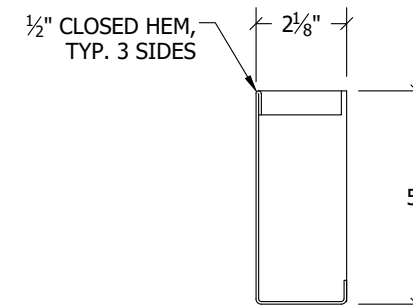
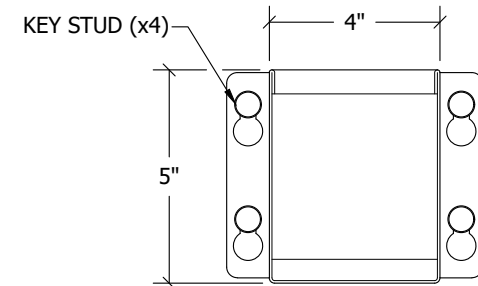
- WORKING SURFACE & TUB(S): 16GA 304 SERIES S/S, #4 FINISH
- PERFORATED INSERT: 18GA 304 SERIES S/S, #4 FINISH
- UNDERSTRUCTURE: 16GA GALVANIZED
- CABINET BODY & FLOOR SHELF: 18GA S/S, #4 FINISH
- LEGS: ϕ 1-5/8" 16GA S/S TUBING & ADJ. BULLET FEET
- DRAIN(S): BY EUROBAR
 - ϕ 1 1/2" BASKET DRAIN, 1 1/2" NPT - QTY (1)
- MOUNTING CLIPS: 1 EA PER 24" OF BACKSPLASH

1 EACH



PLAN VIEW

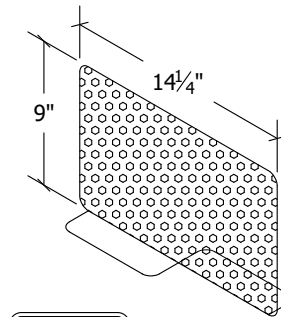
KEY HOLE DETAIL



FRONT VIEW

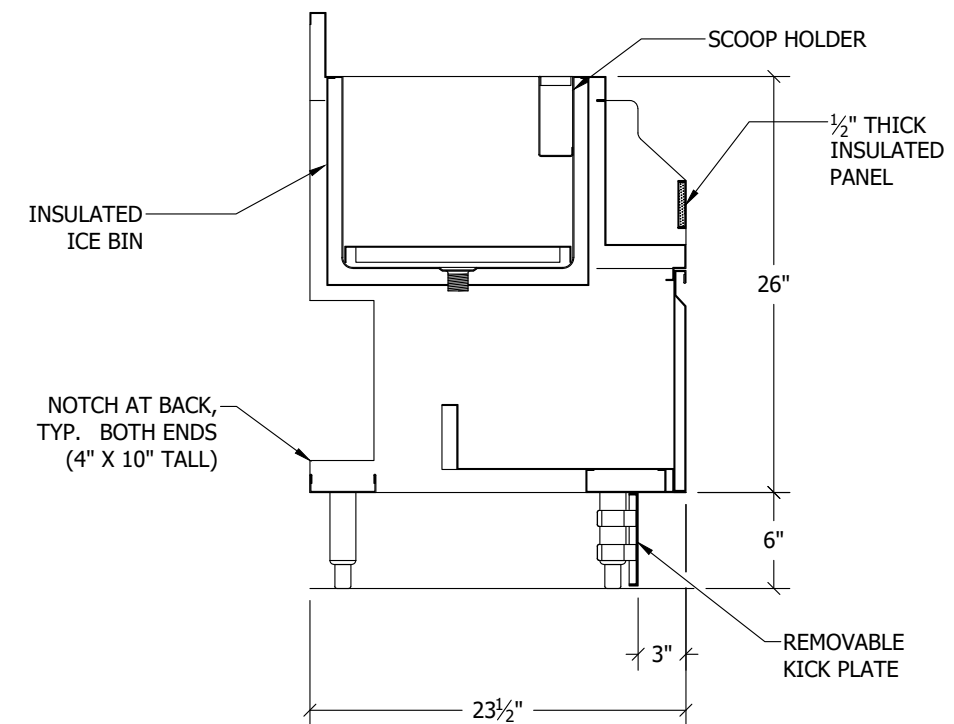
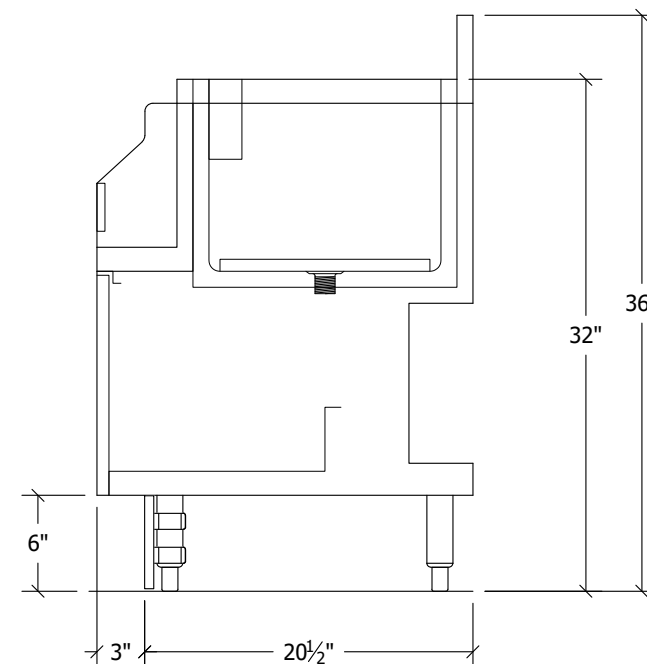
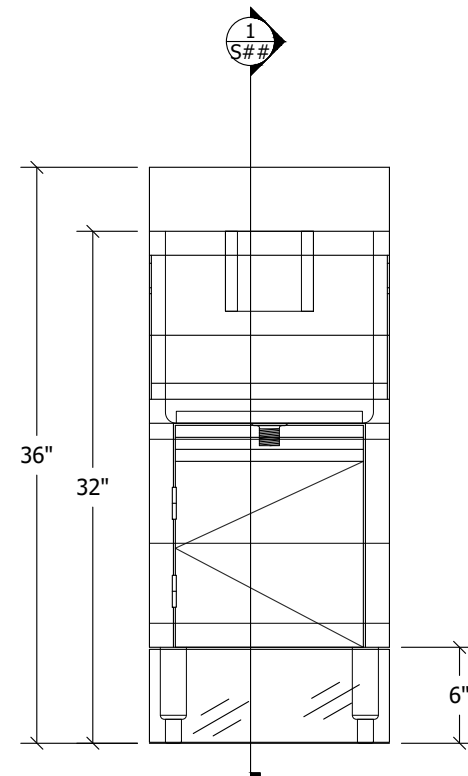
SECTION VIEW

SCOOP HOLDER DETAILS



2 EACH

DIVIDER DETAIL



SECTION VIEW

Scale: # = 1'-0"

CUSTOMER:

ITEM NO: EBIB15
 MAIN SCALE: 1
 SECTION SCALE: 1

20

REVISIONS	

Proj. Mgr:
 Drawn By:
 Drawn Date: