

MATERIAL BUY-OUT LIST

ITEM #	DESCRIPTION	MAKE / PART NUMBER	QTY	SUPPLIED BY	INSTALLED BY
--	7 LINE COLD PLATE	N/A	1	EUROBAR	EUROBAR

EBIB18-7 - ICE BIN

ITEM ##### - SCALE: # = 1'-0"

MATERIALS & FINISHES

(WHERE APPLICABLE)

- **WORKING SURFACE & TUB(S):** 16GA 304 SERIES S/S, #4 FINISH
- **PERFORATED INSERT:** 18GA 304 SERIES S/S, #4 FINISH
- **UNDERSTRUCTURE:** 16GA GALVANIZED
- **CABINET BODY & FLOOR SHELF:** 18GA S/S, #4 FINISH
- **LEGS:** ϕ 1-5/8" 16GA S/S TUBING & ADJ. BULLET FEET
- **MOUNTING CLIPS:** 1 EA PER 24" OF BACKSPLASH

1 EACH

Revit Families (Current)\Eurobar Logo.png

CUSTOMER:

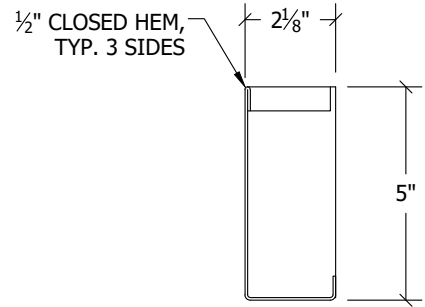
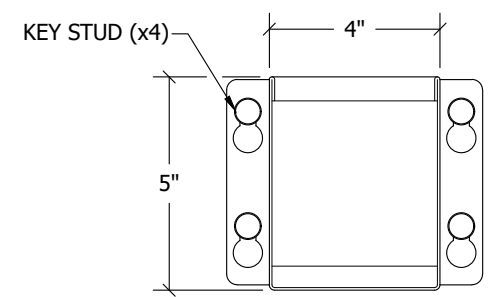
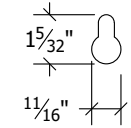
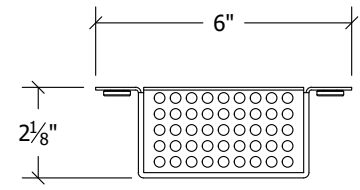
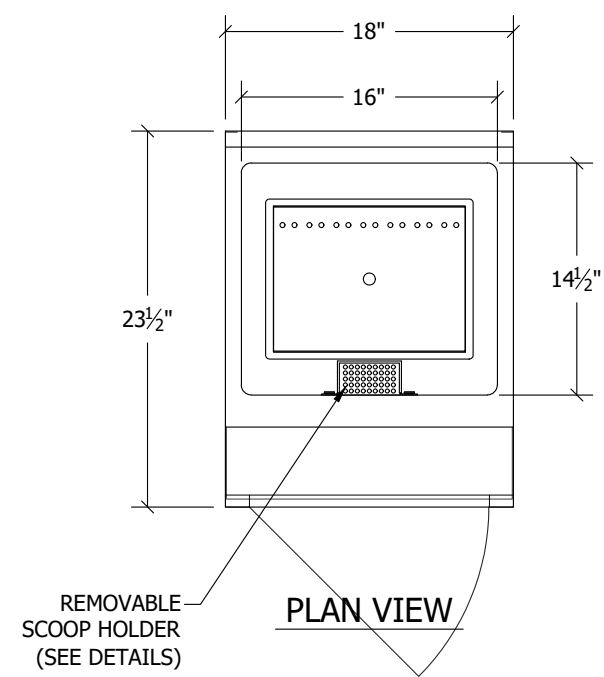
ITEM NO: EBIB18-7
 EUROBAR
 MASTER DRAWING
 11x17 PAGE FORMAT

MAIN SCALE: 1
 SECTION SCALE: 1

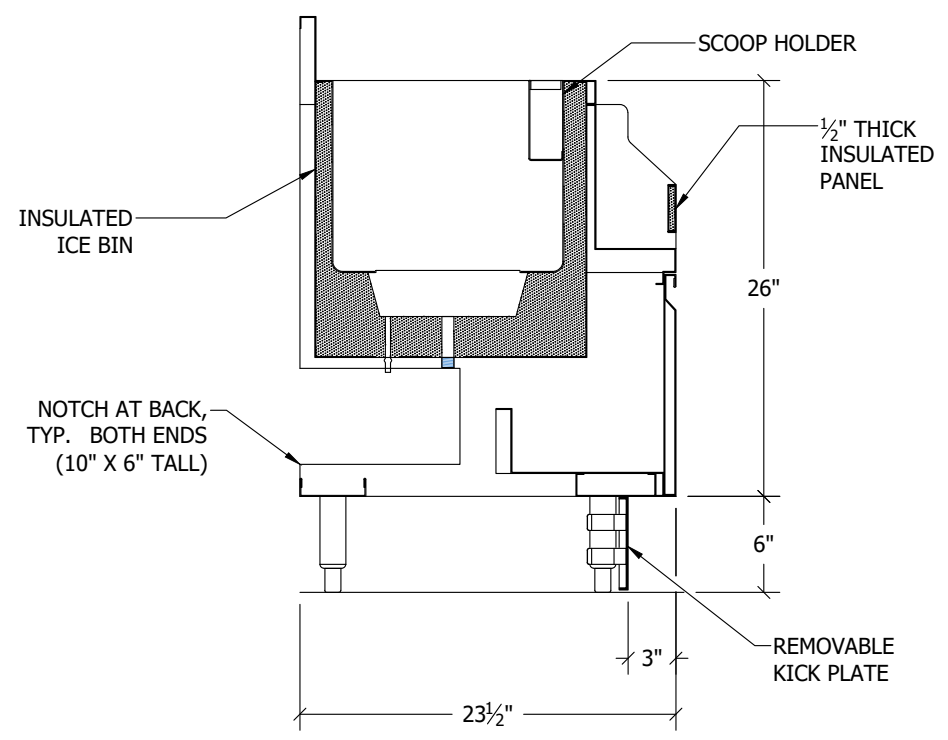
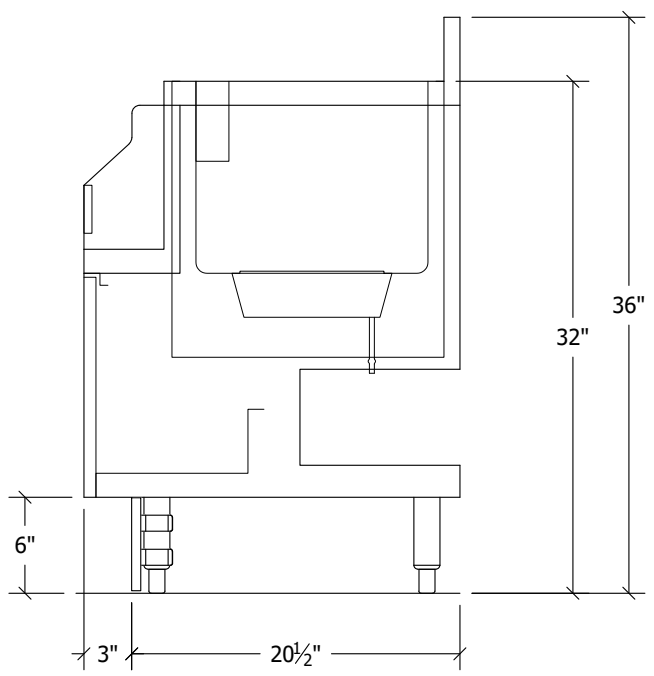
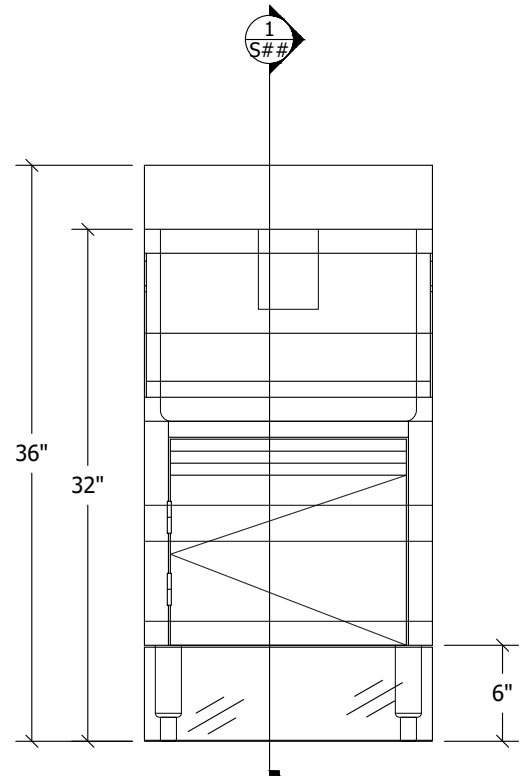
23

REVISIONS	

Proj. Mgr:
 Drawn By:
 Drawn Date:



SCOOP HOLDER DETAILS



SECTION VIEW

Scale: # = 1'-0"