

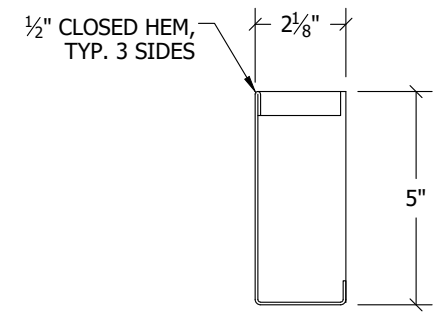
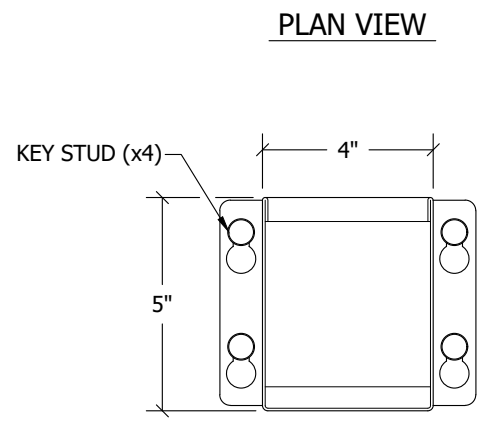
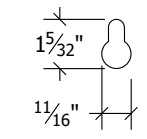
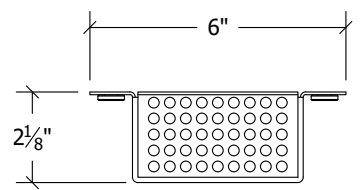
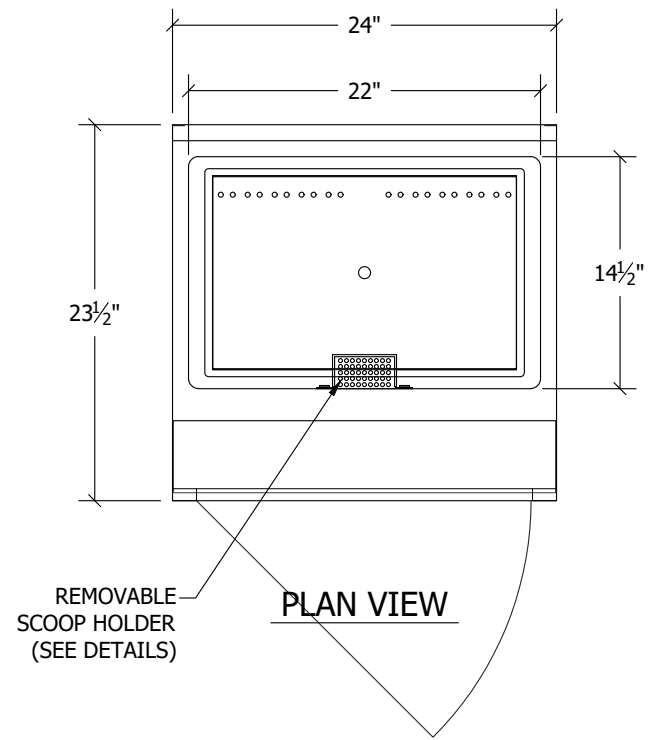
MATERIAL BUY-OUT LIST					
ITEM #	DESCRIPTION	MAKE / PART NUMBER	QTY	SUPPLIED BY	INSTALLED BY
—	10 LINE COLD PLATE	N/A	1	EUROBAR	EUROBAR

EBIB24-10 - ICE BIN
 ITEM ##### - SCALE: # " = 1'-0"

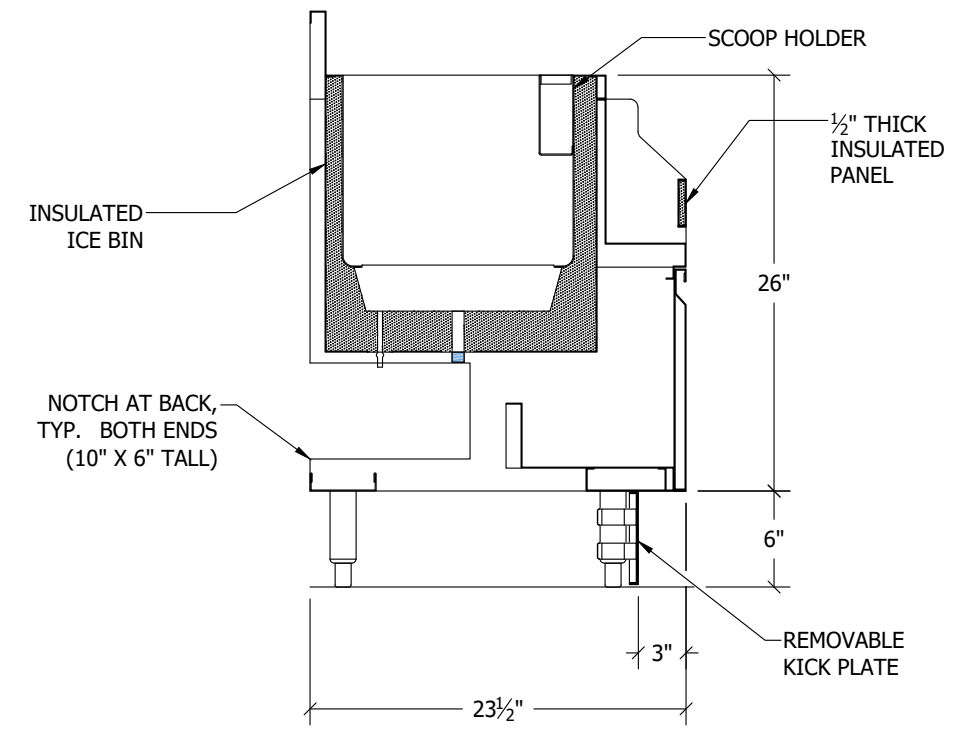
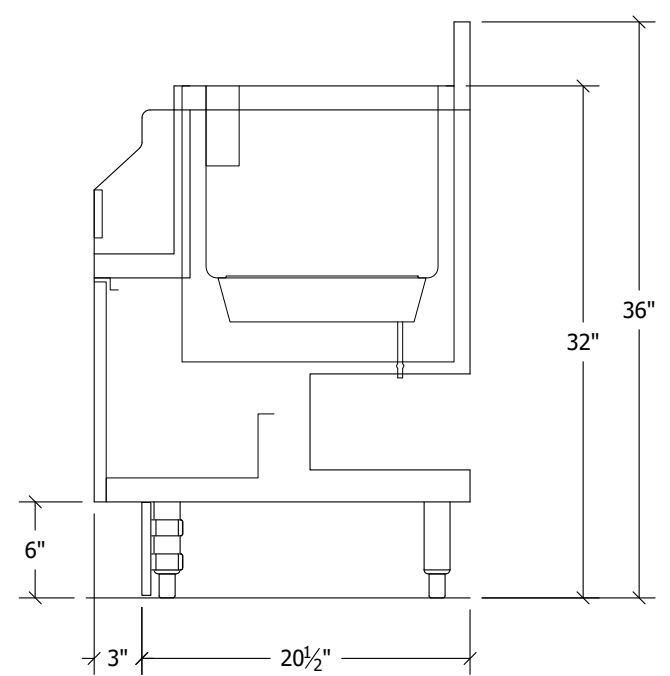
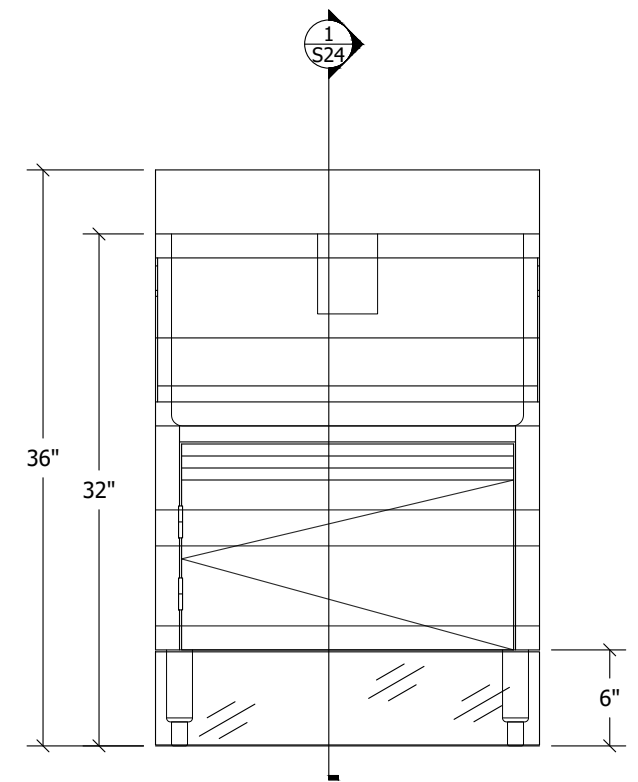
MATERIALS & FINISHES
 (WHERE APPLICABLE)

- WORKING SURFACE & TUB(S): 16GA 304 SERIES S/S, #4 FINISH
- PERFORATED INSERT: 18GA 304 SERIES S/S, #4 FINISH
- UNDERSTRUCTURE: 16GA GALVANIZED
- CABINET BODY & FLOOR SHELF: 18GA S/S, #4 FINISH
- LEGS: ϕ 1-5/8" 16GA S/S TUBING & ADJ. BULLET FEET
- MOUNTING CLIPS: 1 EA PER 24" OF BACKSPLASH

1 EACH



SCOOP HOLDER DETAILS



SECTION VIEW
 Scale: 1" = 1'-0"

ITEM NO: EBIB24-10
 MAIN SCALE: 1
 SECTION SCALE: 1
 EUROBAR
 MASTER DRAWING
 11x17 PAGE FORMAT

REVISIONS	

Proj. Mgr:	
Drawn By:	
Drawn Date:	

CUSTOMER:

..\\Revit Families (Current)\\Eurobar logo.png