

MATERIAL BUY-OUT LIST

ITEM #	DESCRIPTION	MAKE / PART NUMBER	QTY	SUPPLIED BY	INSTALLED BY
—	7 LINE COLD PLATE	N/A	1	EUROBAR	EUROBAR

EBIB24-7 - ICE BIN

ITEM ##### - SCALE: #" = 1'-0"

MATERIALS & FINISHES

(WHERE APPLICABLE)

- WORKING SURFACE & TUB(S): 16GA 304 SERIES S/S, #4 FINISH
- PERFORATED INSERT: 18GA 304 SERIES S/S, #4 FINISH
- UNDERSTRUCTURE: 16GA GALVANIZED
- CABINET BODY & FLOOR SHELF: 18GA S/S, #4 FINISH
- LEGS: ϕ 1-5/8" 16GA S/S TUBING & ADJ. BULLET FEET
- MOUNTING CLIPS: 1 EA PER 24" OF BACKSPLASH

1 EACH

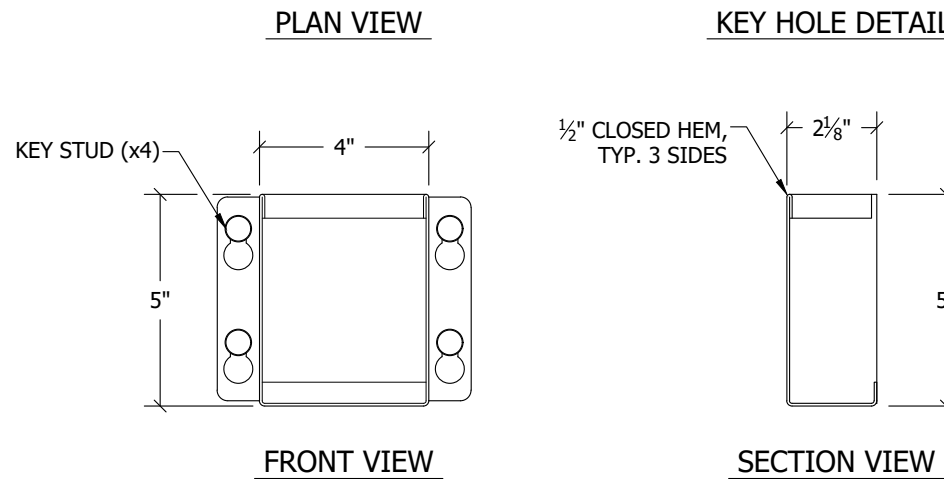
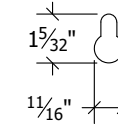
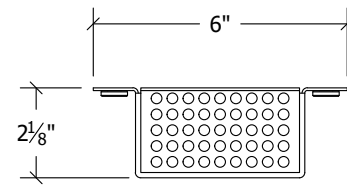
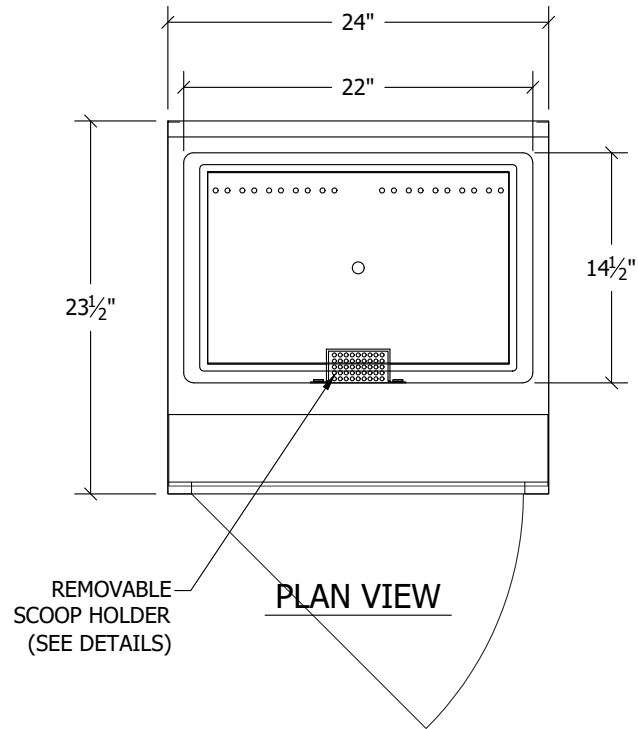
CUSTOMER:

ITEM NO: EBIB24-7
EUROBAR
MASTER DRAWING
11x17 PAGE FORMAT

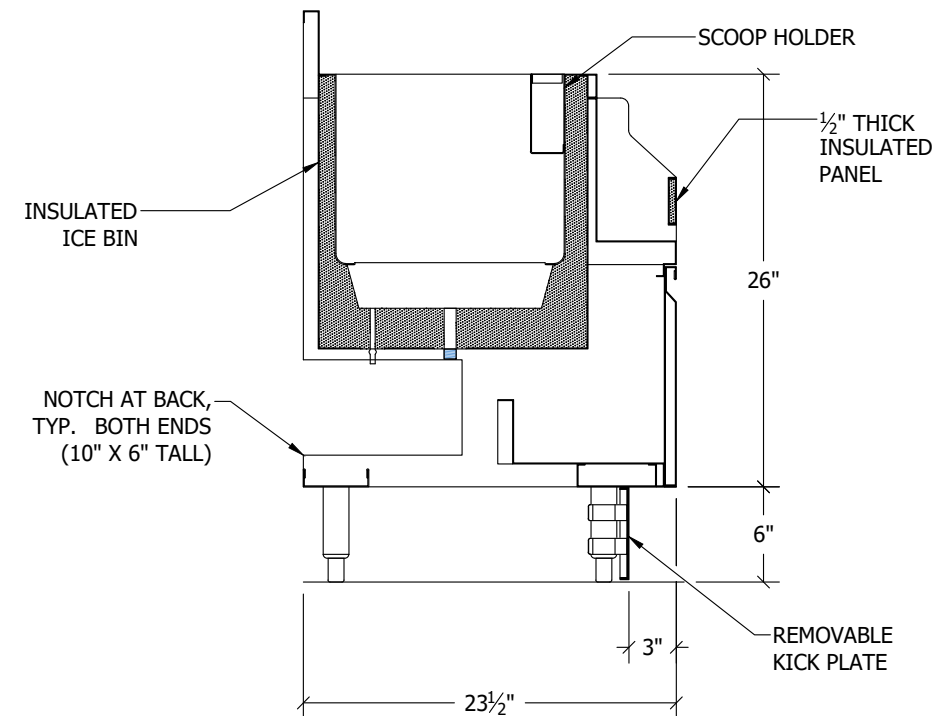
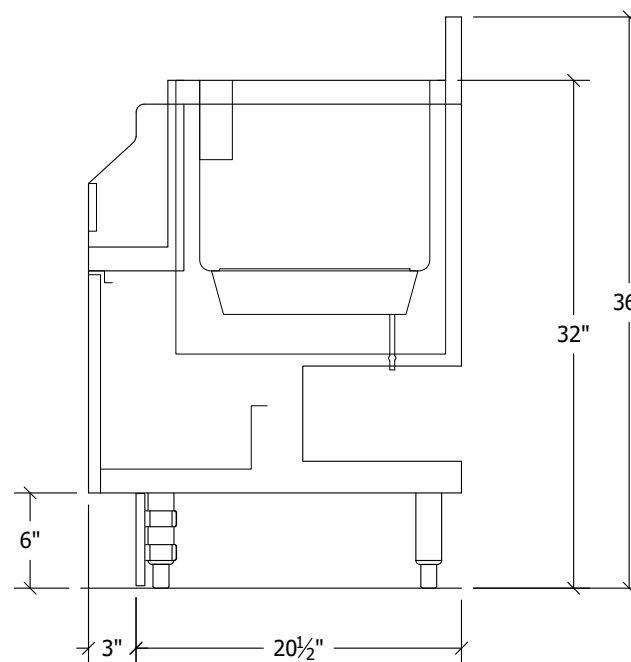
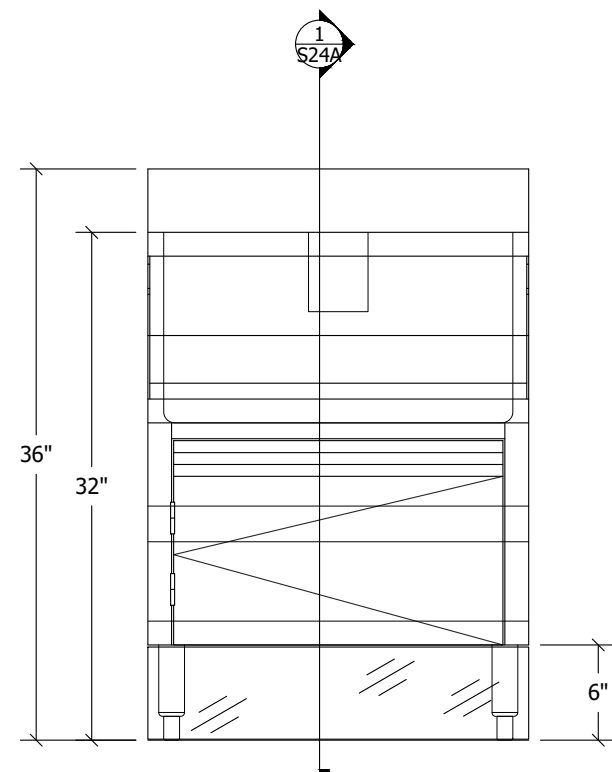
24A
MAIN SCALE: 1
SECTION SCALE: 1

REVISIONS

Proj. Mgr:	
Drawn By:	
Drawn Date:	



SCOOP HOLDER DETAILS



SECTION VIEW

Scale: 1" = 1'-0"