

SHIP BUY OUTS TO  
FACTORY FOR  
INSTALLATION

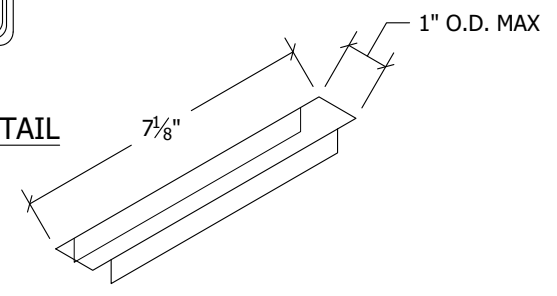
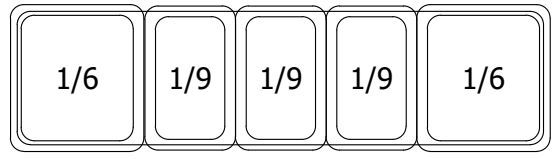
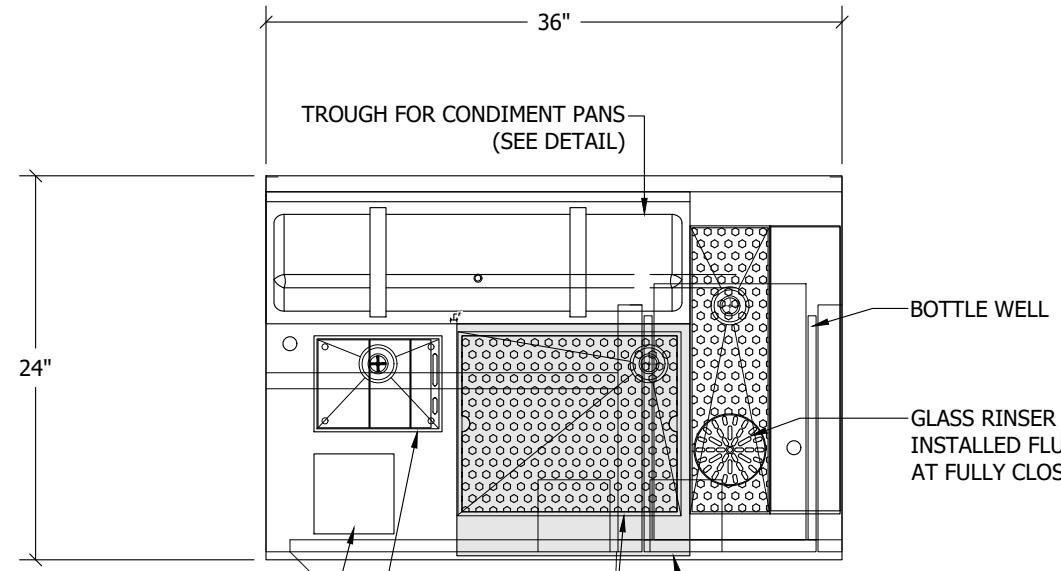
**MATERIAL BUY-OUT LIST**

ITEM #	DESCRIPTION	MAKE / PART NUMBER	QTY	SUPPLIED BY	INSTALLED BY
—	GLASS RINSER	MICRO MATIC / GR-1581	1	OTHERS	EUROBAR
—	DIPPER WELL FAUCET	T&S BRASS / B-2282	1	OTHERS	EUROBAR
—	14" S/S DRAWER SLIDES	CHG / S26-0014	1	EUROBAR	EUROBAR
—	1/9th PANS	N/A	3	OTHERS	OTHERS
—	1/6th PANS	N/A	2	OTHERS	OTHERS

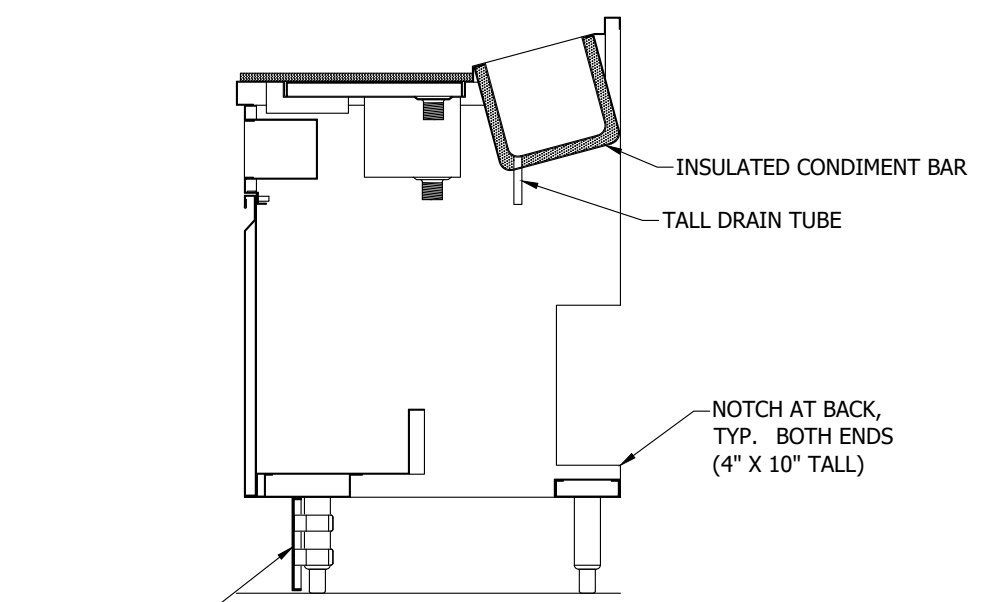
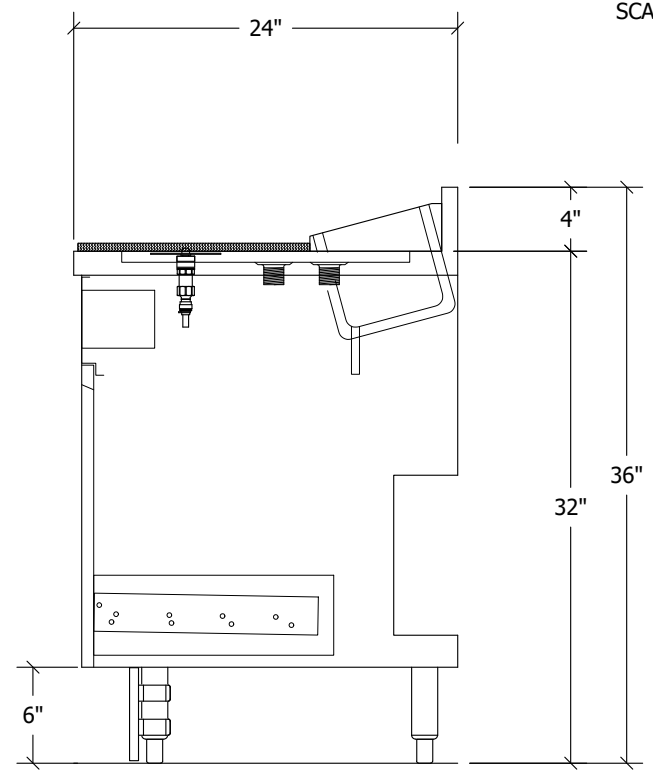
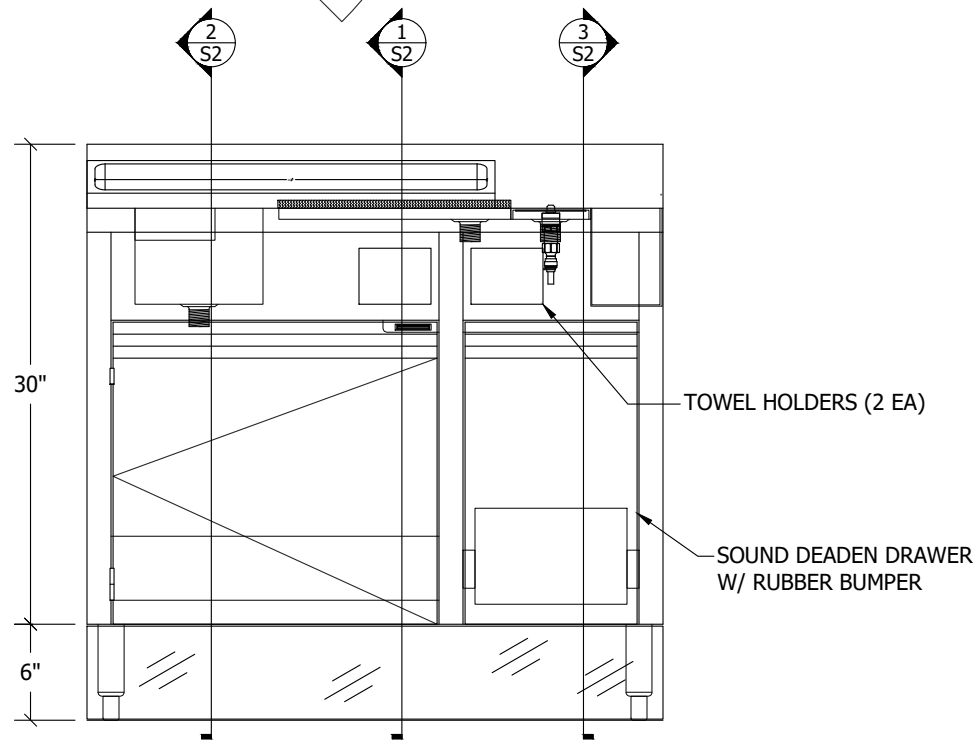
**EBMWS36 - MAIN STATION**  
ITEM EBMW36 - SCALE: 1" = 1'-0" - PG 1 OF 3

**MATERIALS & FINISHES**  
(WHERE APPLICABLE)

- WORKING SURFACE & TUB(S): 16GA 304 SERIES S/S, #4 FINISH
- UNDERSTRUCTURE: 16GA GALVANIZED
- CABINET BODY & FLOOR SHELF: 18GA S/S, #4 FINISH
- DRAWER(S): 18GA S/S, #4 FINISH
  - SOUND DEADEN UNDERCOAT REQUIRED AT BOTTOM OF DRAWER PAN ONLY (SEE NOTE BELOW)
- LEGS:  $\phi$ 1-5/8" 16GA S/S TUBING & ADJ. BULLET FEET
- FAUCET(S): PROVIDED BY OTHERS, INSTALLED BY EUROBAR
  - DRAIN(S): BY EUROBAR
  - $\phi$ 1" BRASS DRAIN, 1" NPT, 1 1/2" TALL - QTY (3)
- CUTTING BOARD: 1/2" THICK POLY (BY EUROBAR)
- MOUNTING CLIPS: 1 EA PER 24" OF BACKSPLASH



NOTE:  
2 EA. PER CABINET  
(SHIPPED LOOSE & INSTALLED IN FIELD)



CUSTOMER:

ITEM NO: EBMW36  
EUROBAR  
MASTER DRAWING  
11x17 PAGE FORMAT

MAIN SCALE: 1  
SECTION SCALE: 1

REVISIONS

NO.	DESCRIPTION	DATE

Proj. Mgr:  
Drawn By:  
Drawn Date:

