

1 EACH

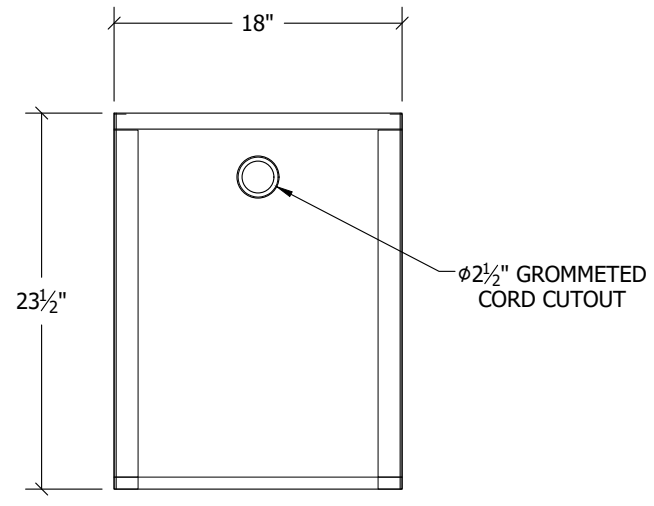
EBPOS18 - POS STATION

ITEM ## - SCALE: #" = 1'-0"

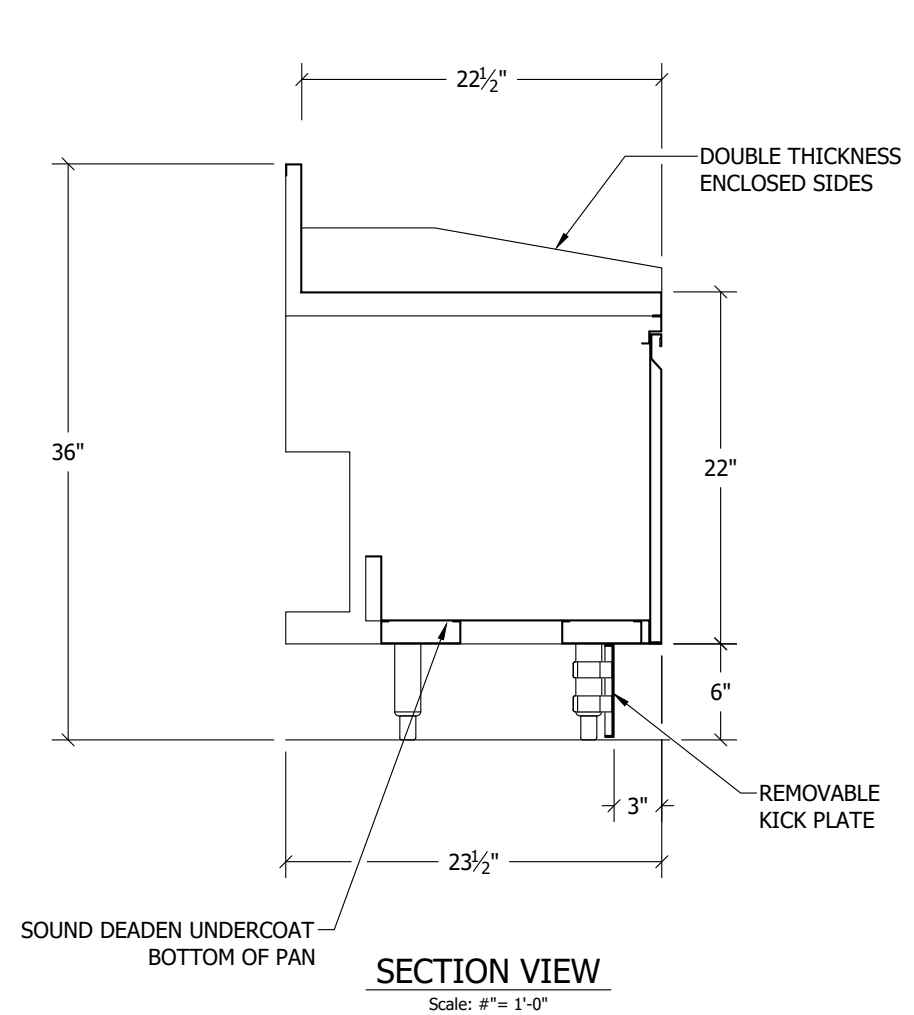
MATERIALS & FINISHES

(WHERE APPLICABLE)

- WORKING SURFACE: 16GA 304 SERIES S/S, #4 FINISH
- UNDERSTRUCTURE: 16GA GALVANIZED
- CABINET BODY: 18GA S/S, #4 FINISH
- DRAWER(S): 18GA S/S, #4 FINISH
- SOUND DEADEN UNDERCOAT REQUIRED AT BOTTOM OF DRAWER PAN ONLY (SEE NOTE BELOW)
- LEGS: ϕ 1-5/8" 16GA S/S TUBING & ADJ. BULLET FEET
- MOUNTING CLIPS: 1 EA PER 24" OF BACKSPLASH

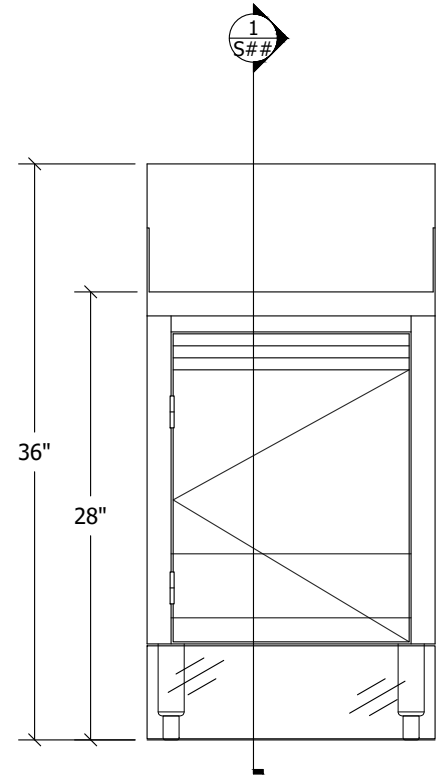


PLAN VIEW

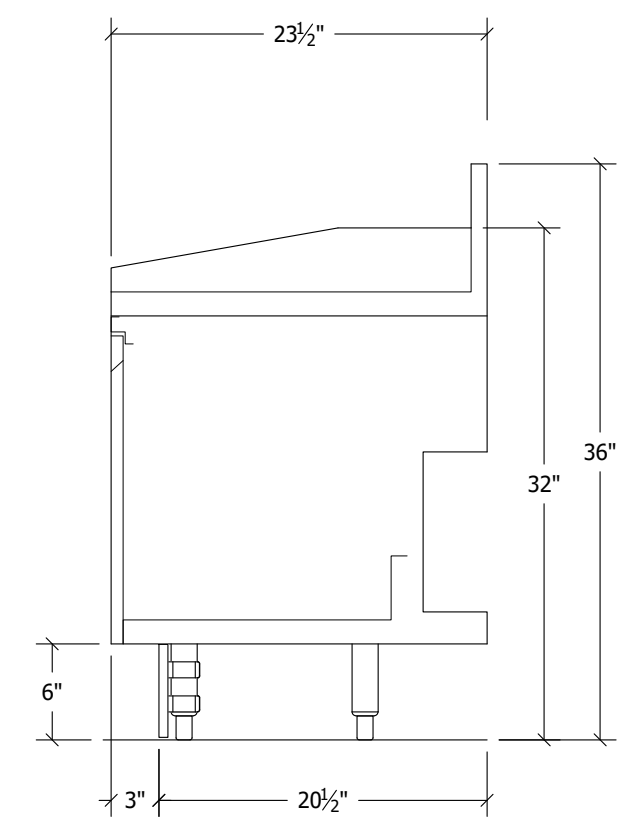


SECTION VIEW

Scale: #" = 1'-0"



FRONT VIEW



SIDE VIEW

..(Revit:Families (Current))Eurobar Logo.png

CUSTOMER:

ITEM NO: **EBPOS18**
 MAIN SCALE: 1
 SECTION SCALE: 1
 EUROBAR
 MASTER DRAWING
 11x17 PAGE FORMAT

36

REVISIONS

NO.	DESCRIPTION

Proj. Mgr:
 Drawn By:
 Drawn Date: