

EBPOS24 - POS STATION

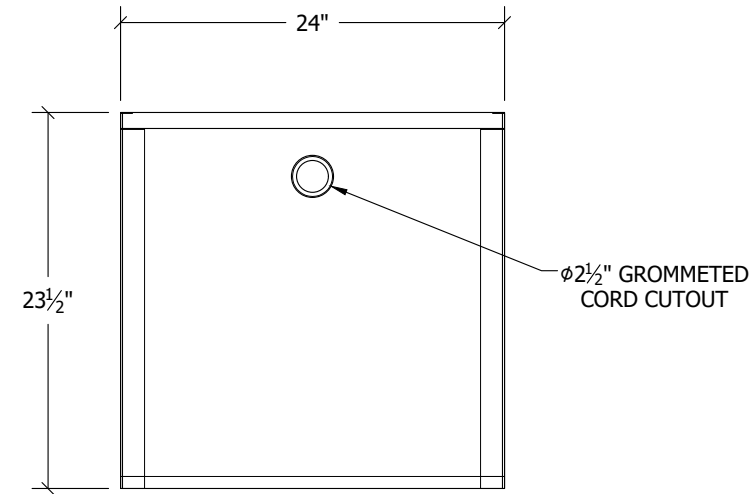
ITEM ## - SCALE: #" = 1'-0"

1 EACH

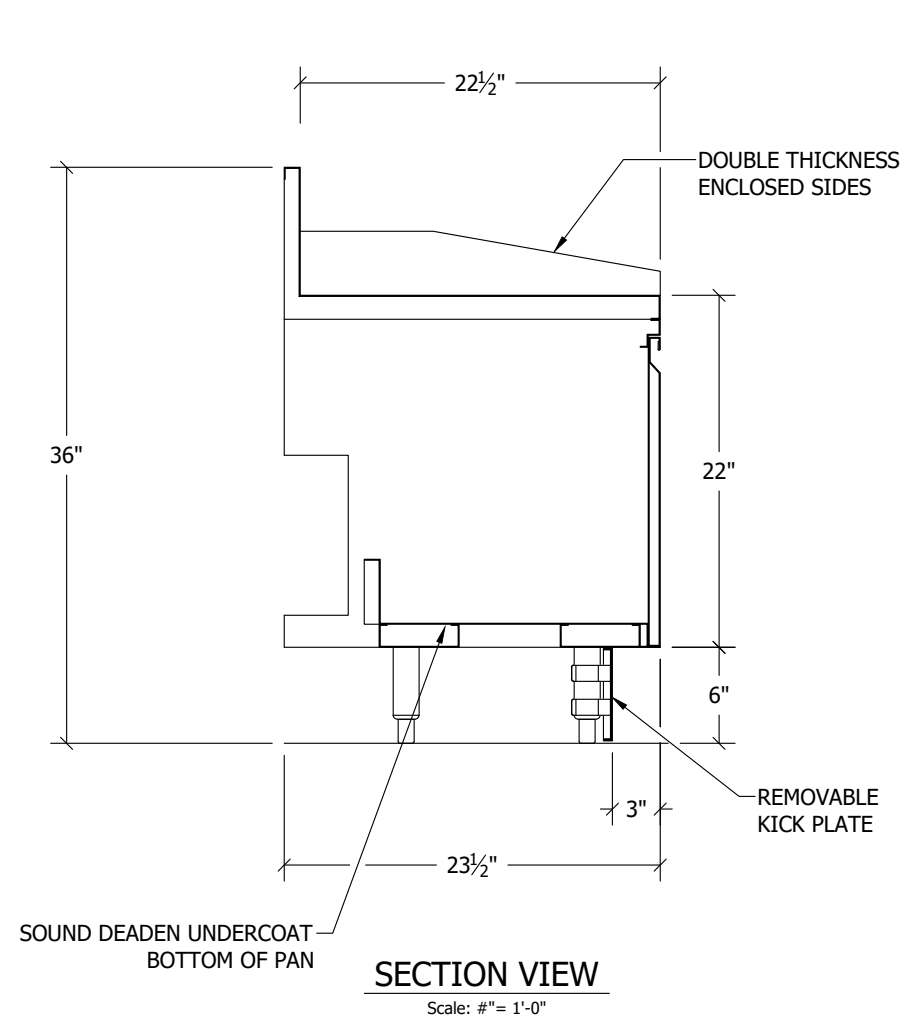
MATERIALS & FINISHES

(WHERE APPLICABLE)

- **WORKING SURFACE:** 16GA 304 SERIES S/S, #4 FINISH
- **UNDERSTRUCTURE:** 16GA GALVANIZED
- **CABINET BODY:** 18GA S/S, #4 FINISH
- **DRAWER(S):** 18GA S/S, #4 FINISH
- **SOUND DEADEN UNDERCOAT REQUIRED AT BOTTOM OF DRAWER PAN ONLY (SEE NOTE BELOW)**
- **LEGS:** ϕ 1-5/8" 16GA S/S TUBING & ADJ. BULLET FEET
- **MOUNTING CLIPS:** 1 EA PER 24" OF BACKSPLASH

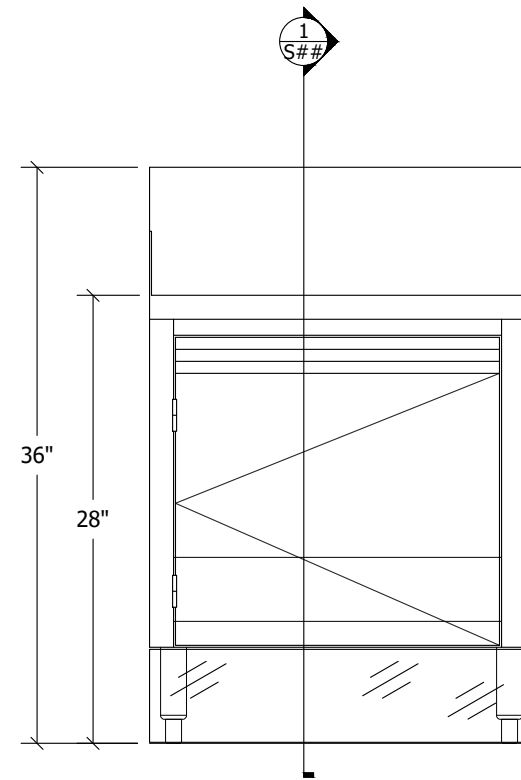


PLAN VIEW

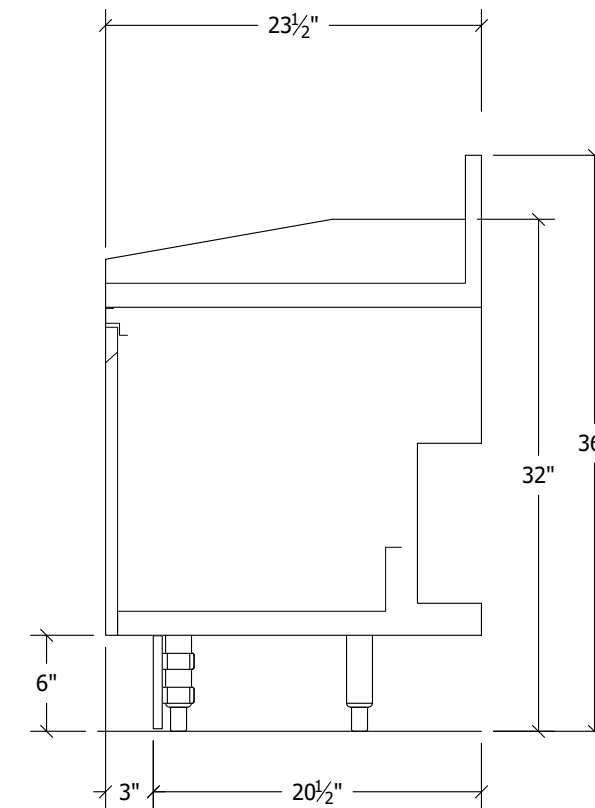


SECTION VIEW

Scale: #" = 1'-0"



FRONT VIEW



SIDE VIEW

CUSTOMER:

ITEM NO: EBPOS24
 EUROBAR
 MASTER DRAWING
 1.1x17 PAGE FORMAT

37

REVISIONS

Proj. Mgr:
 Drawn By:
 Drawn Date: