

MATERIAL BUY-OUT LIST

ITEM #	DESCRIPTION	MAKE / PART NUMBER	QTY	SUPPLIED BY	INSTALLED BY
—	U/C MOUNT GUN HOLDER	GLASSTENDER / UMGH	1	OTHERS	EUROBAR

EBSGF4 - SODA GUN OPTION

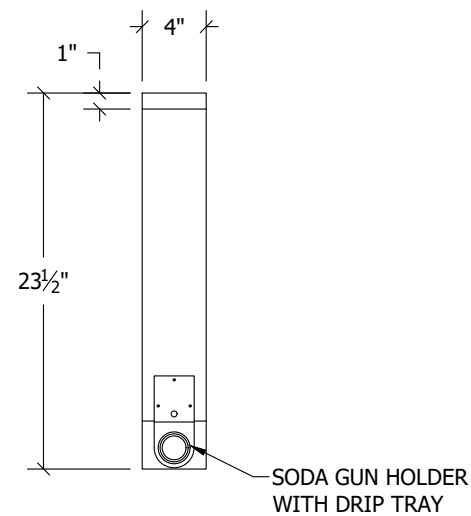
ITEM ##### - SCALE: # = 1'-0"

MATERIALS & FINISHES

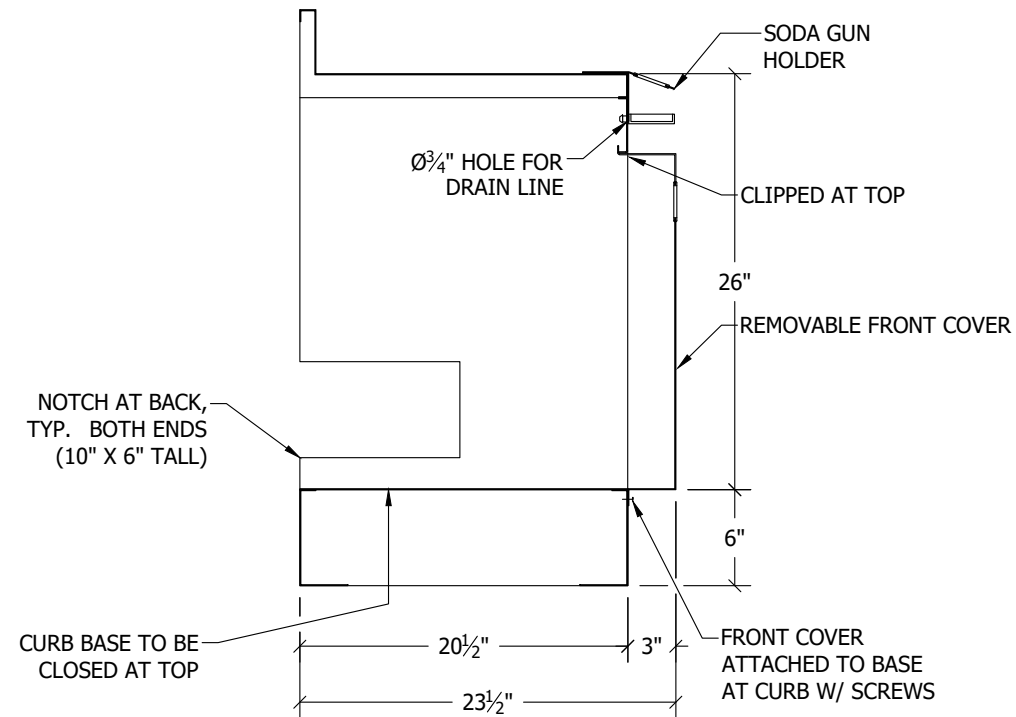
(WHERE APPLICABLE)

- WORKING SURFACE & TUB(S): 16GA 304 SERIES S/S, #4 FINISH
- CABINET BODY & FLOOR SHELF: 18GA S/S, #4 FINISH
- CURB BASE: 18GA S/S, #4 FINISH
- MOUNTING CLIPS: 1 EA PER 24" OF BACKSPLASH

1 EACH

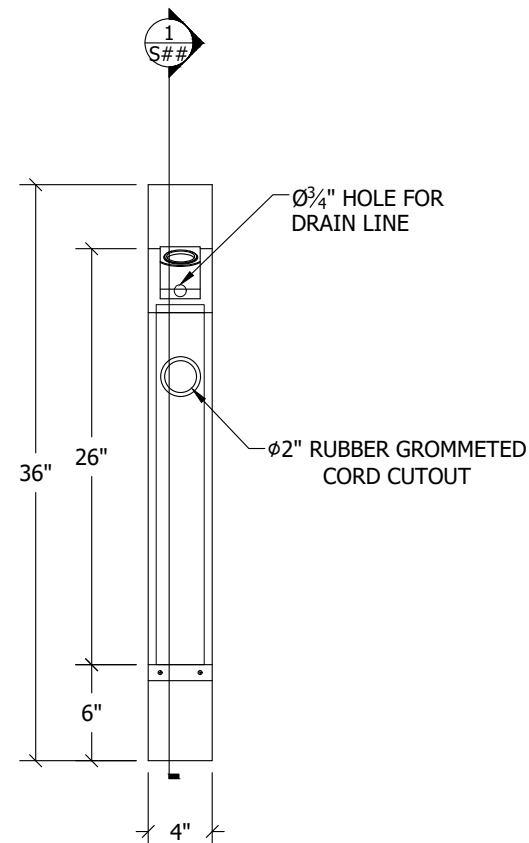


PLAN VIEW

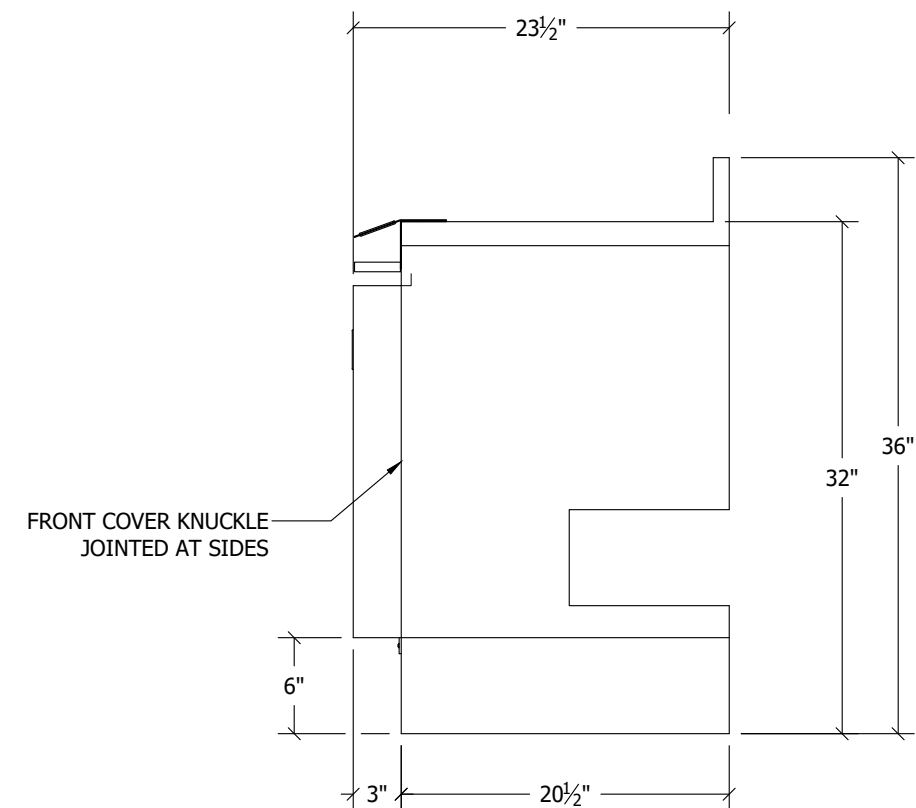


SECTION VIEW

Scale: # = 1'-0"



FRONT VIEW



SIDE VIEW

CUSTOMER:

EUROBAR
MASTER DRAWING
11x17 PAGE FORMAT

ITEM NO: EBSGF4
MAIN SCALE: 1
SECTION SCALE: 1

25

REVISIONS

Proj. Mgr:
Drawn By:
Drawn Date: