

**EBTBC16 - TRASH ENCLOSURE**

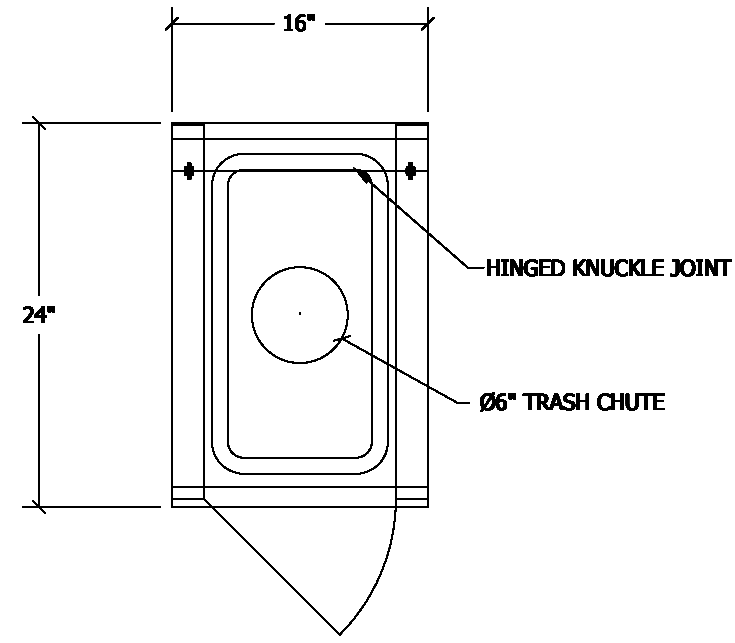
ITEM #### - SCALE: # = 1'-0"

**1 EACH**

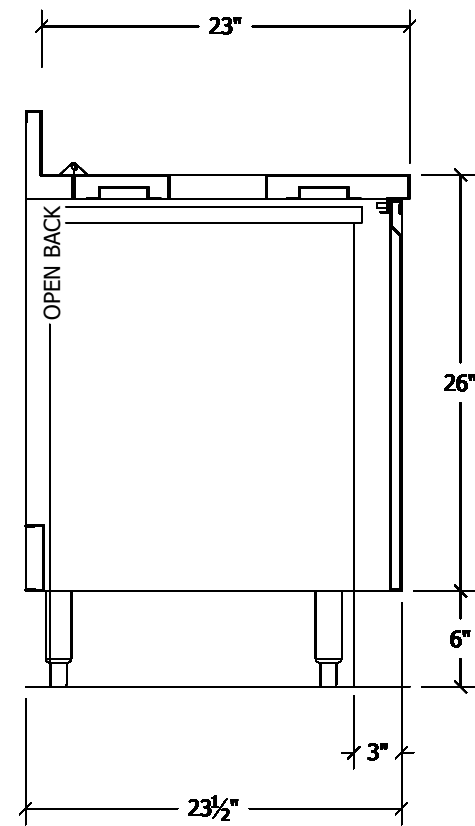
**MATERIALS & FINISHES**

(WHERE APPLICABLE)

- **WORKING SURFACE & TUB(S):** 16GA 304 SERIES S/S, #4 FINISH
- **UNDERSTRUCTURE:** 16GA GALVANIZED
- **CABINET BODY:** 18GA S/S, #4 FINISH
- **LEGS:**  $\phi$ 1-5/8" 16GA S/S TUBING & ADJ. BULLET FEET
- **MOUNTING CLIPS:** 1 EA PER 24" OF BACKSPLASH

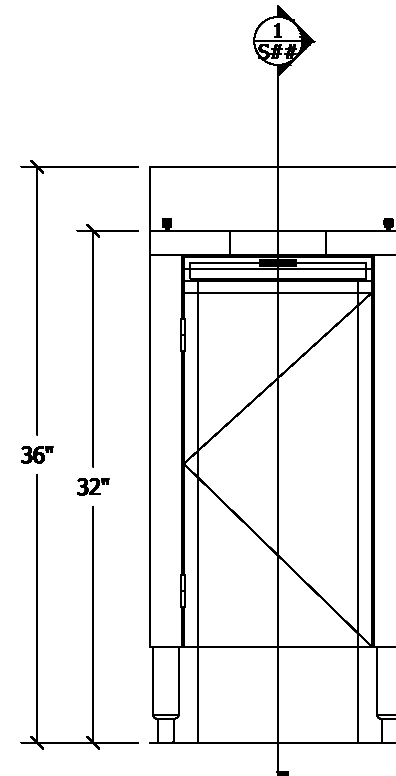


**PLAN VIEW**

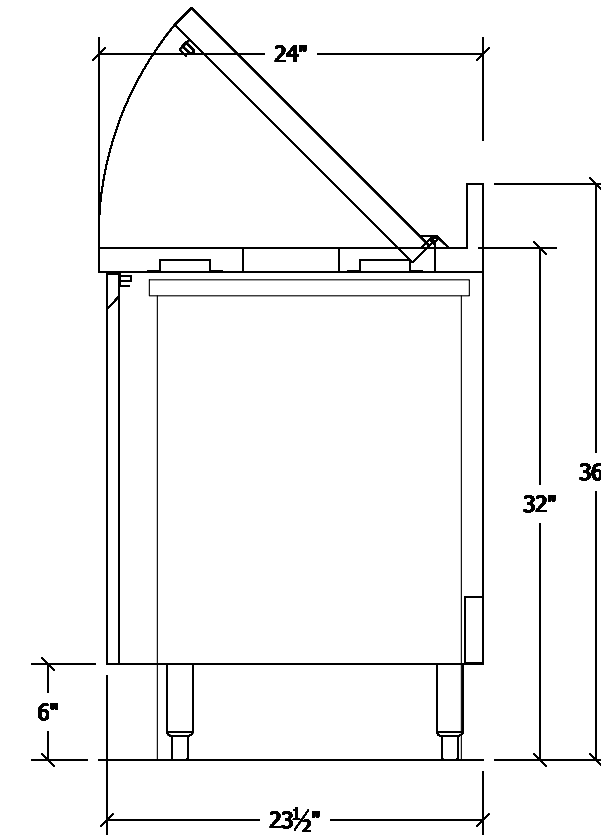


**SECTION VIEW**

Scale: # = 1'-0"



**FRONT VIEW**



**SIDE VIEW**

..Revit Families (Current)\Eurobar logo.png

CUSTOMER:

**ITEM NO: EBTBC16**  
**EUROBAR**  
 MASTER DRAWING  
 11x17 PAGE FORMAT

**38**  
**MAIN SCALE: 1**  
**SECTION SCALE: 1**

REVISIONS	

Proj. Mgr:  
 Drawn By:  
 Drawn Date: