

EBTBU12 - TRASH ENCLOSURE

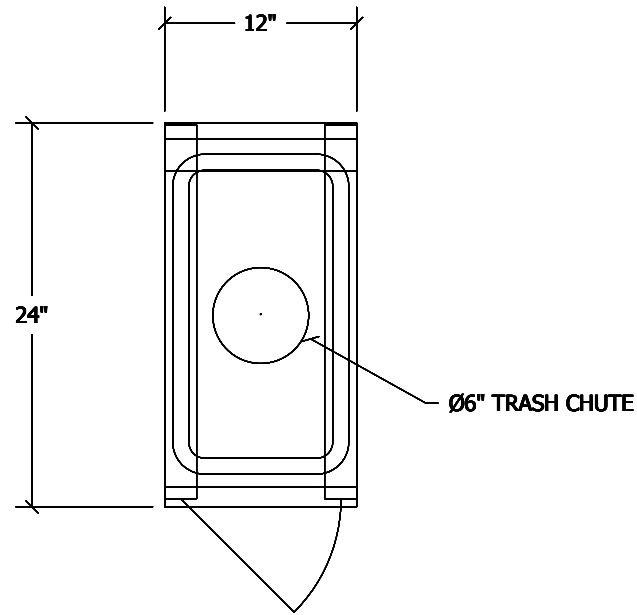
ITEM ##### - SCALE: # = 1'-0"

1 EACH

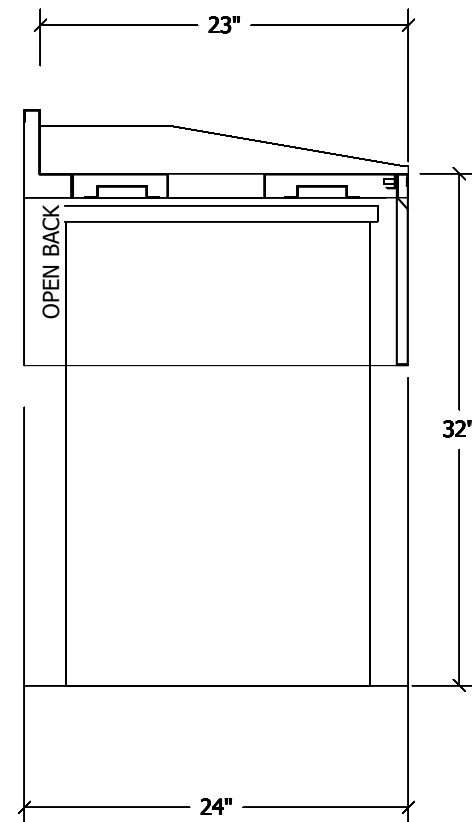
MATERIALS & FINISHES

(WHERE APPLICABLE)

- **WORKING SURFACE & TUB(S):** 16GA 304 SERIES S/S, #4 FINISH
- **UNDERSTRUCTURE:** 16GA GALVANIZED
- **CABINET BODY:** 18GA S/S, #4 FINISH
- **LEGS:** ϕ 1-5/8" 16GA S/S TUBING & ADJ. BULLET FEET
- **MOUNTING CLIPS:** 1 EA PER 24" OF BACKSPLASH

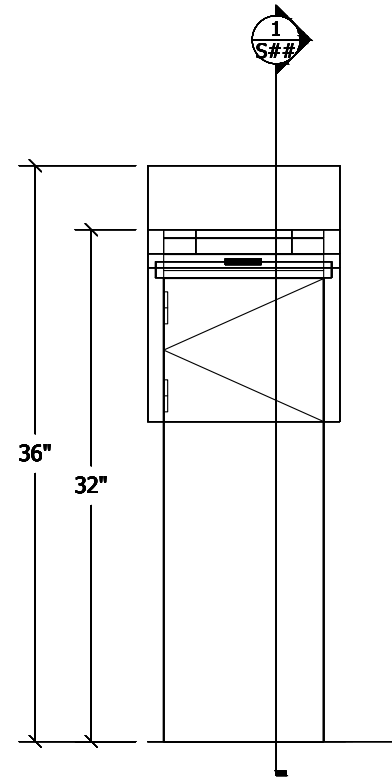


PLAN VIEW

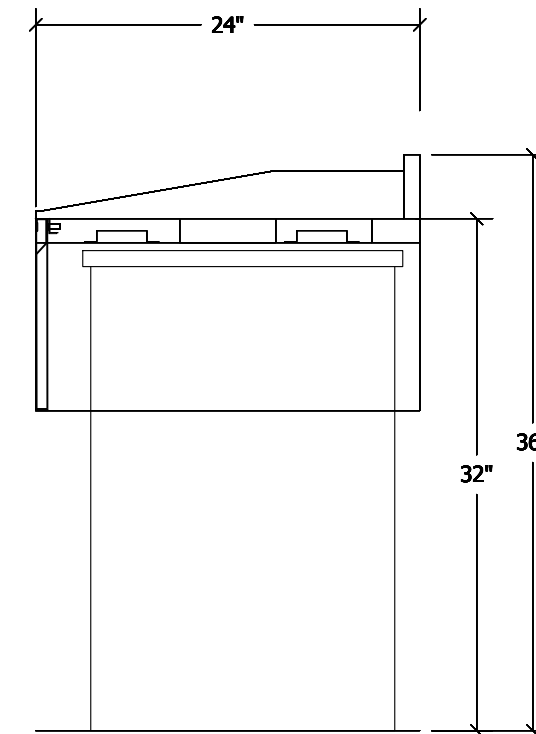


SECTION VIEW

Scale: # = 1'-0"



FRONT VIEW



SIDE VIEW

..\\Revit Families (Current)\Eurobar logo.png

CUSTOMER:

ITEM NO: EBTBU12
EUROBAR
 MASTER DRAWING
 11x17 PAGE FORMAT

39
MAIN SCALE: 1
SECTION SCALE: 1

REVISIONS

NO.	DESCRIPTION	DATE

Proj. Mgr:
 Drawn By:
 Drawn Date: