

MATERIAL BUY-OUT LIST

| ITEM # | DESCRIPTION | MAKE / PART NUMBER | QTY | SUPPLIED BY | INSTALLED BY |
|--------|-----------------------|--------------------|-----|-------------|--------------|
| — | 14" S/S DRAWER SLIDES | CHG / S26-0014 | 1 | EUROBAR | EUROBAR |

EBULD12 - LIQUOR STEP & STORAGE

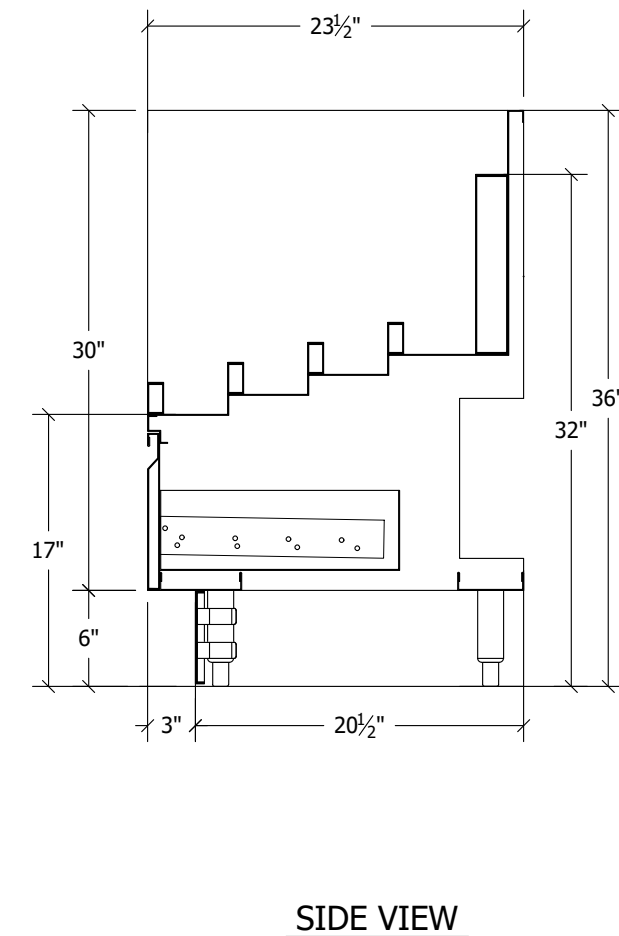
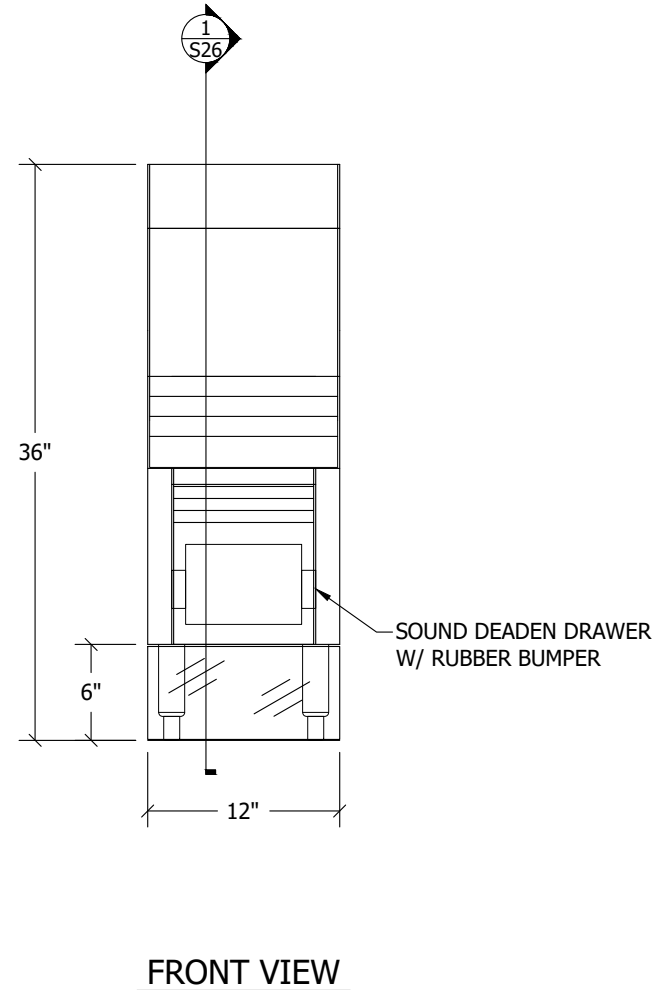
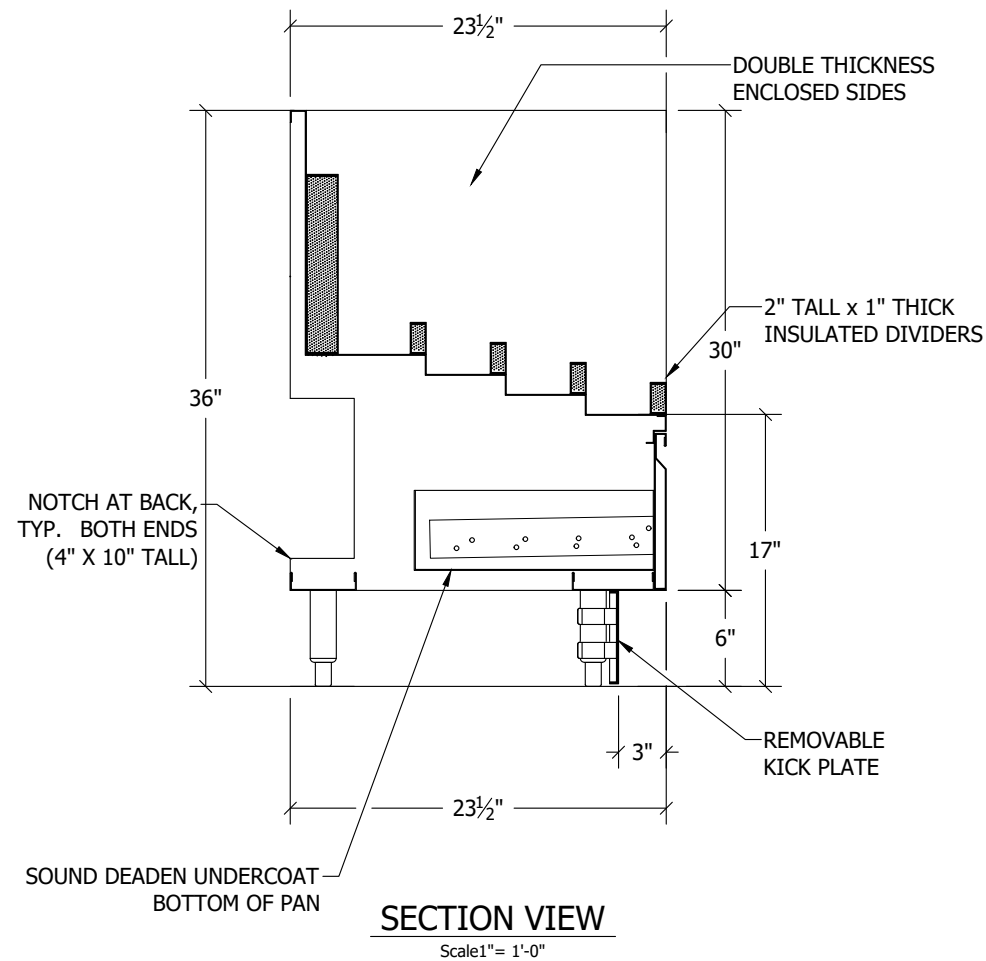
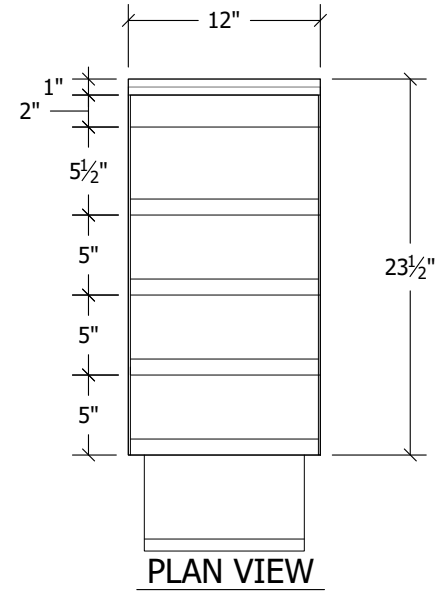
ITEM ##### - SCALE: # = 1'-0"

MATERIALS & FINISHES

(WHERE APPLICABLE)

- WORKING SURFACE: 16GA 304 SERIES S/S, #4 FINISH
- UNDERSTRUCTURE: 16GA GALVANIZED
- CABINET BODY: 18GA S/S, #4 FINISH
- DRAWER(S): 18GA S/S, #4 FINISH
 - SOUND DEADEN UNDERCOAT REQUIRED AT BOTTOM OF DRAWER PAN ONLY (SEE NOTE BELOW)
- LEGS: ϕ 1-5/8" 16GA S/S TUBING & ADJ. BULLET FEET
- MOUNTING CLIPS: 1 EA PER 24" OF BACKSPLASH

1 EACH



..\\revit_families (Current) \Eurobar logo.png

CUSTOMER:

ITEM NO: EBULD12
EUROBAR
MASTER DRAWING
11x17 PAGE FORMAT

26
MAIN SCALE: 1
SECTION SCALE: 1

| REVISIONS | |
|-----------|--|
| | |
| | |
| | |
| | |

Proj. Mgr: _____
 Drawn By: _____
 Drawn Date: _____