

MATERIAL BUY-OUT LIST

ITEM #	DESCRIPTION	MAKE / PART NUMBER	QTY	SUPPLIED BY	INSTALLED BY
—	14" S/S DRAWER SLIDES	CHG / S26-0014	1	EUROBAR	EUROBAR

EBULD18 - LIQUOR STEP & STORAGE

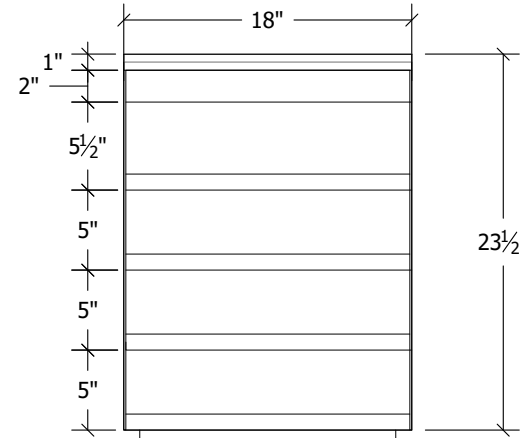
ITEM ##### - SCALE: # = 1'-0"

MATERIALS & FINISHES

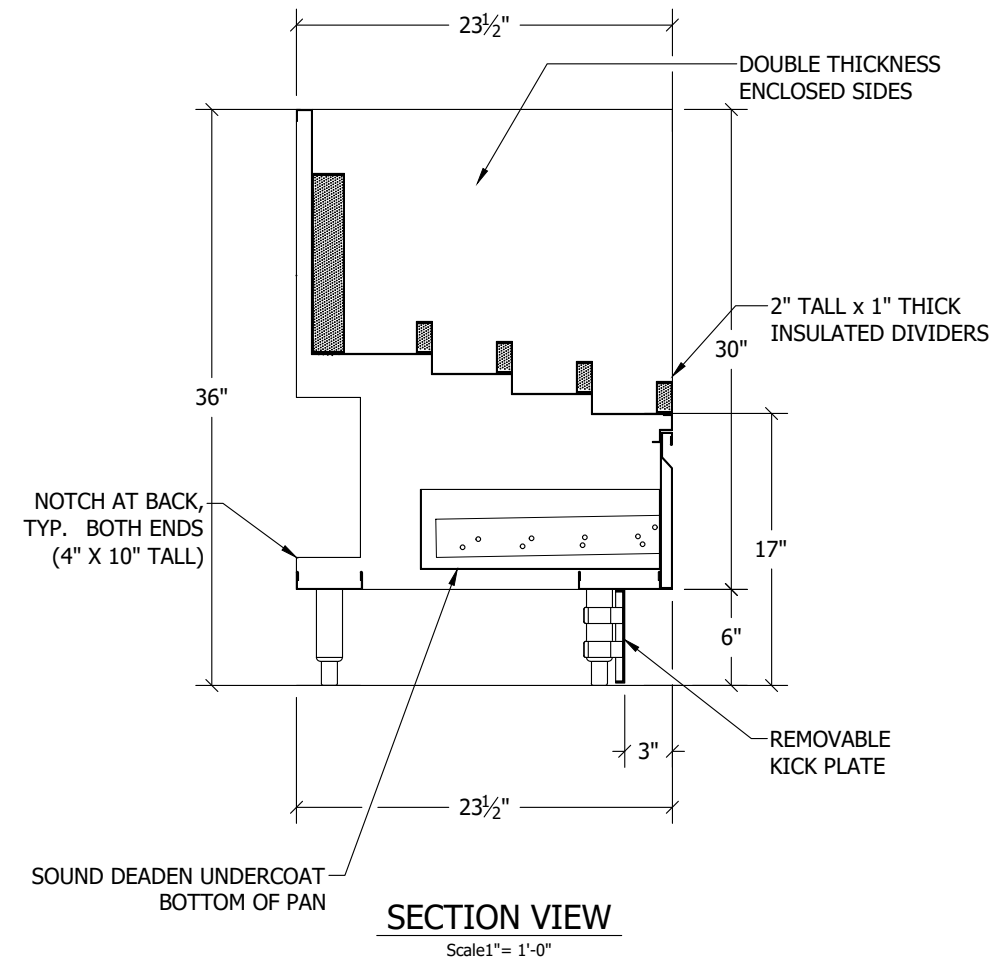
(WHERE APPLICABLE)

- WORKING SURFACE: 16GA 304 SERIES S/S, #4 FINISH
- UNDERSTRUCTURE: 16GA GALVANIZED
- CABINET BODY: 18GA S/S, #4 FINISH
- DRAWER(S): 18GA S/S, #4 FINISH
 - SOUND DEADEN UNDERCOAT REQUIRED AT BOTTOM OF DRAWER PAN ONLY (SEE NOTE BELOW)
- LEGS: ϕ 1-5/8" 16GA S/S TUBING & ADJ. BULLET FEET
- MOUNTING CLIPS: 1 EA PER 24" OF BACKSPLASH

1 EACH

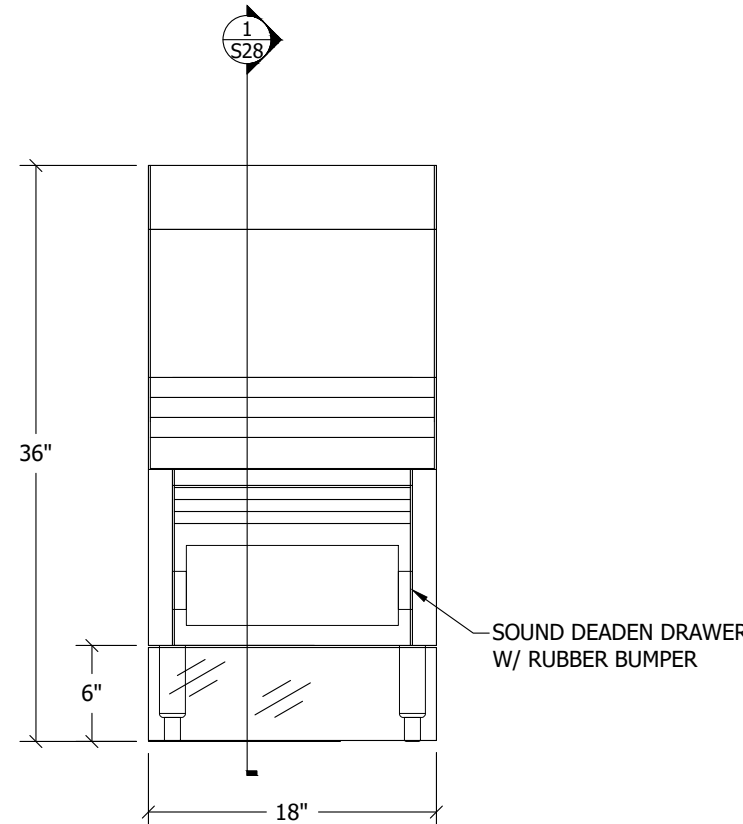


PLAN VIEW

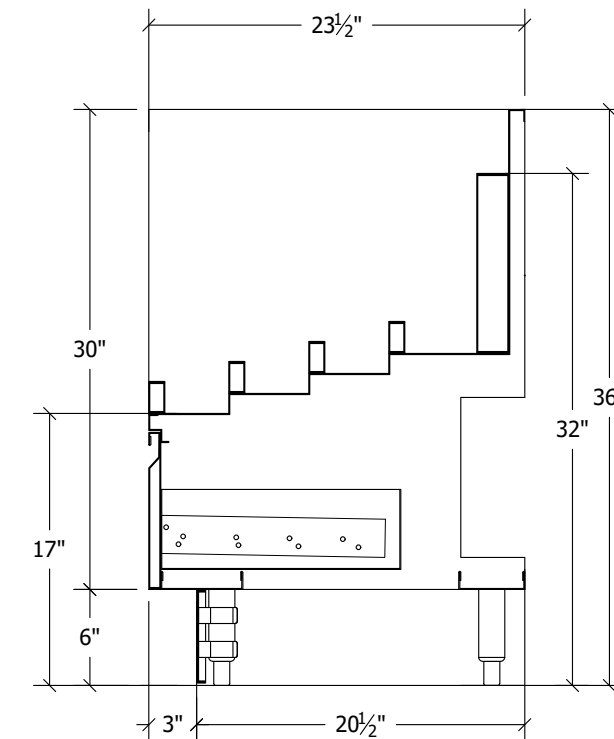


SECTION VIEW

Scale 1" = 1'-0"



FRONT VIEW



SIDE VIEW

..(Revit Families (Current))Eurobar logo.png

CUSTOMER:

ITEM NO: EBULD18
EUROBAR
MASTER DRAWING
11x17 PAGE FORMAT

MAIN SCALE: 1
SECTION SCALE: 1

28

REVISIONS

NO.	DESCRIPTION

Proj. Mgr:
Drawn By:
Drawn Date: