

*EuroBar*®/©

**Elevated Space for Better Taste**



**SPEC SHEET CATALOG**



ITEM #: \_\_\_\_\_ QUANTITY: \_\_\_\_\_

MODEL #: \_\_\_\_\_

PROJECT NAME: \_\_\_\_\_



## EUROBAR PRE-CONFIGURED MODELS

### MODEL NUMBERS

EBPCU75 | EuroBar Pre-Configured Model 75"

EBPCU78 | EuroBar Pre-Configured Model 78"

EBPCU84 | EuroBar Pre-Configured Model 84"

### FEATURES

- Pre-configured models available in three different sizes (75", 78", 84")
- Models include main station, iced juice well, ice bin, and craft dump sink
- Ergonomic design for maximum efficiency
- Improved sanitation and food safety standards due to ice bin positioning
- Central workstation with ample storage across the lineup
- Quality construction: 304 Stainless steel with 14ga Top/18ga Cabinet body
- Made in the USA; NSF Approved

### ACCESSORIES (OPTIONAL)

- Under bar Liquor Display
- Blender Station with Dump Sink
- POS Station
- Trash Bin Cabinet
- Soda Gun Filler Section
- Spice Caddy
- Hand Sink

### BUILD YOUR EUROBAR

- Customize your EuroBar with a variety of modules and accessories at [www.eurobarstation.com/resources](http://www.eurobarstation.com/resources)



EBPCU75



EBPCU78



EBPCU84



## EUROBAR PRE-CONFIGURED SPECIFICATION SHEET

ITEM #: \_\_\_\_\_ QUANTITY: \_\_\_\_\_  
 MODEL #: \_\_\_\_\_  
 PROJECT NAME: \_\_\_\_\_



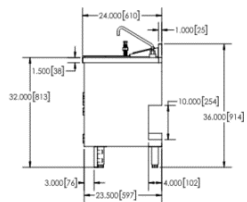
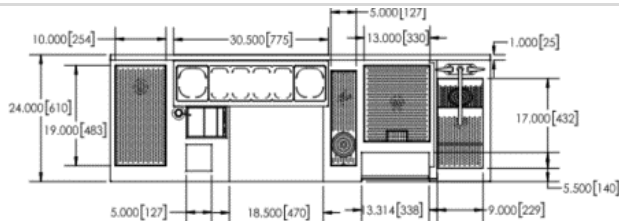
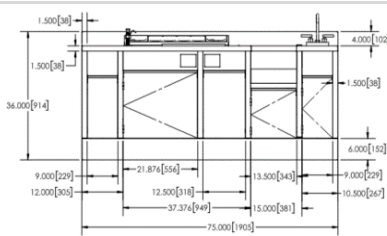
# EUROBAR PRE-CONFIGURED MODELS

## SPECIFICATIONS

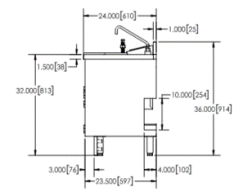
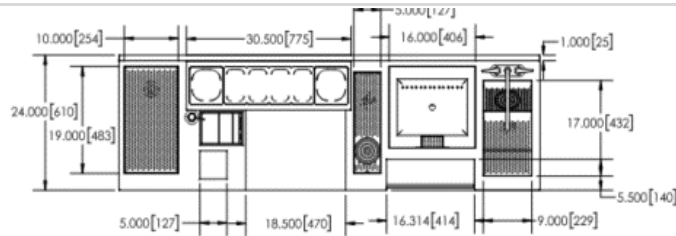
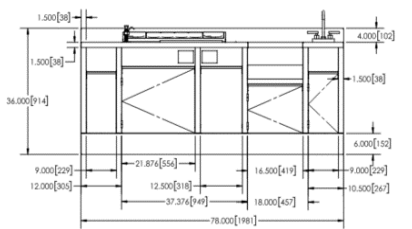
| Model   | Dimensions  | Juice Well Capacity | Juice Well Drawer Capacity | Speed Rail Capacity | Ice Bin Size | Trash Can Capacity |
|---------|-------------|---------------------|----------------------------|---------------------|--------------|--------------------|
| EBPCU75 | 75"x24"x36" | 6 Bottles           | 5 Bottles                  | 4 Bottles           | 15"          | 10 Gallon          |
| EBPCU78 | 78"x24"x36" | 6 Bottles           | 5 Bottles                  | 5 Bottles           | 18"          | 10 Gallon          |
| EBPCU84 | 84"x24"x36" | 6 Bottles           | 5 Bottles                  | 6 Bottles           | 24"          | 10 Gallon          |

## DIMENSIONS

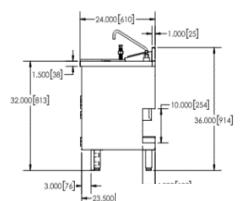
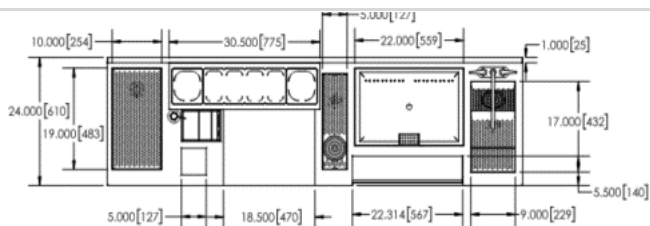
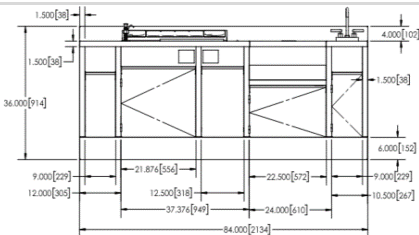
### EBPCU75



### EBPCU78



### EBPCU84



# EUROBAR PRE-CONFIGURED SPECIFICATION SHEET

ITEM #: \_\_\_\_\_ QUANTITY: \_\_\_\_\_  
MODEL #: \_\_\_\_\_  
PROJECT NAME: \_\_\_\_\_



## EUROBAR MAIN WORKSTATION

### MODEL NUMBER

EBMWS | EuroBar 36" Main Station

### DIMENSIONS (L X W X H)

36" x 24" x 36"

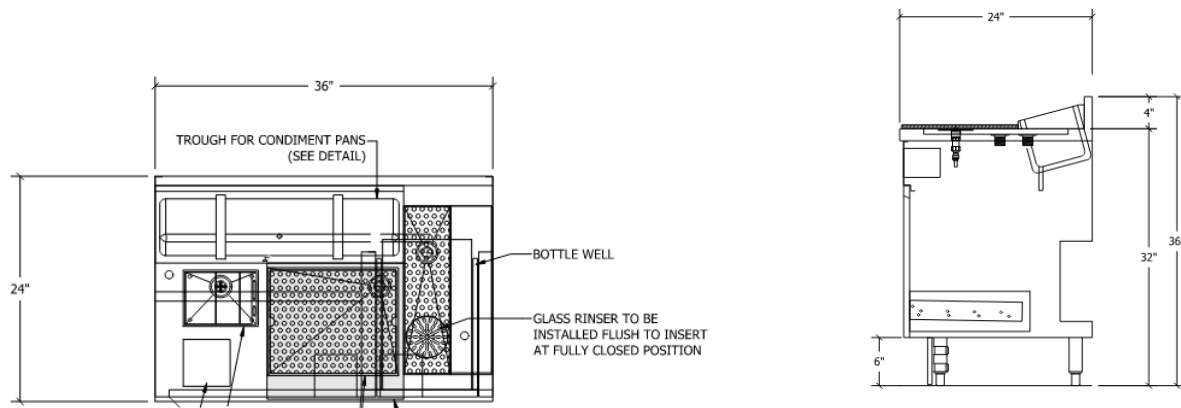
### FEATURES

- Bartender prep area
- Insulated garnish rail
- Designated bar tool trough with dipper well faucet
- Glass rinser with perforated insert for easy cleaning
- Trash chute and bar towel/napkin nook
- Side panels are notched and floor is open at the back for easy utility routing
- Quality construction: 304 Stainless steel with 14ga Top/18ga Cabinet body and 6" stainless steel legs
- Made in the USA; NSF Approved

### ACCESSORIES (OPTIONAL)

- Cutting board
- Under bar Liquor Display
- Blender Station with Dump Sink
- POS Station
- Trash Bin Cabinet
- Soda Gun Filler Section
- Spice Caddy
- Hand Sink

## DIMENSIONAL INFORMATION



### BUILD YOUR EUROBAR

Customize your EuroBar with a variety of modules and accessories at [eurobarstation.com/resources](http://eurobarstation.com/resources)



## EUROBAR MAIN WORKSTATION SPECIFICATION SHEET

ITEM #: \_\_\_\_\_ QUANTITY: \_\_\_\_\_  
 MODEL #: \_\_\_\_\_  
 PROJECT NAME: \_\_\_\_\_



## EUROBAR DUMP SINK BLENDER STATION

### MODEL NUMBERS

### DIMENSIONS (L X W X H)

|  |                 |
|--|-----------------|
| EBDSBS12   EuroBar 12" Dump Sink w/Blender Station | 12" x 24" x 36" |
| EBDSBS15   EuroBar 15" Dump Sink w/Blender Station | 15" x 24" x 36" |
| EBDSBS18   EuroBar 18" Dump Sink w/Blender Station | 18" x 24" x 36" |
| EBDSBS24   EuroBar 24" Dump Sink w/Blender Station | 24" x 24" x 36" |

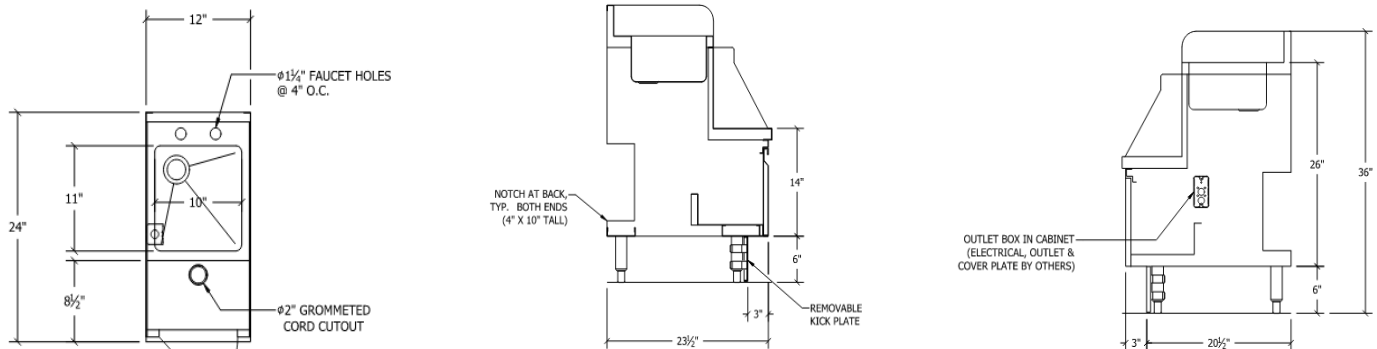
### FEATURES

- Dump sink with integral blender station
- Pre-mounted electrical box and grommet hole for blender cord
- Side panels are notched for easy utility routing
- Quality construction: 304 Stainless steel with 14ga Top/18ga Cabinet body and 6" stainless steel legs
- Made in the USA; NSF Approved

### ACCESSORIES (OPTIONAL)

- Main Workstation
- Under bar Liquor Display
- Blender Station with Dump Sink
- POS Station
- Trash Bin Cabinet
- Soda Gun Filler Section
- Spice Caddy
- Hand Sink

## DIMENSIONAL INFORMATION



### BUILD YOUR EUROBAR

Customize your EuroBar with a variety of modules and accessories at [eurobarstation.com/resources](http://eurobarstation.com/resources)



## EUROBAR DUMP SINK BLENDER STATION SPECIFICATION SHEET

ITEM #: \_\_\_\_\_ QUANTITY: \_\_\_\_\_  
 MODEL #: \_\_\_\_\_  
 PROJECT NAME: \_\_\_\_\_



## EUROBAR CRAFT DUMP SINK

### MODEL NUMBER

EBCDS | EuroBar 12" Craft Dump Sink

### DIMENSIONS (L X W X H)

12" x 24" x 36"

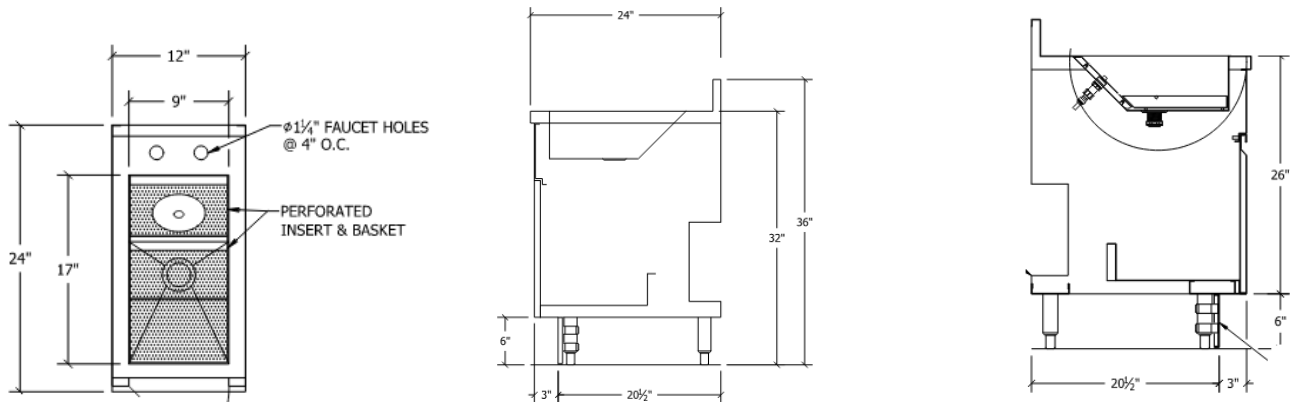
### FEATURES

- Integral glass rinser
- Removable perforated inserts for easy cleaning
- Faucet shipped loose for field installation
- Side panels are notched and floor is open at the back for easy utility routing
- Quality construction: 304 Stainless steel with 14ga Top/18ga Cabinet body and 6" stainless steel legs
- Made in the USA; NSF Approved

### ACCESSORIES (OPTIONAL)

- Main Work Station
- Under bar Liquor Display
- Blender Station with Dump Sink
- POS Station
- Trash Bin Cabinet
- Soda Gun Filler Section
- Spice Caddy
- Hand Sink

## DIMENSIONAL INFORMATION



### BUILD YOUR EUROBAR

Customize your EuroBar with a variety of modules and accessories at [eurobarstation.com/resources](http://eurobarstation.com/resources)



## EUROBAR CRAFT DUMP SINK SPECIFICATION SHEET

ITEM #: \_\_\_\_\_ QUANTITY: \_\_\_\_\_  
 MODEL #: \_\_\_\_\_  
 PROJECT NAME: \_\_\_\_\_



## EUROBAR DRAINBOARD

### MODEL NUMBERS

### DIMENSIONS (L X W X H)

|                                 |                 |
|---------------------------------|-----------------|
| EBDB12   EuroBar 12" Drainboard | 12" x 24" x 36" |
| EBDB15   EuroBar 15" Drainboard | 15" x 24" x 36" |
| EBDB18   EuroBar 18" Drainboard | 18" x 24" x 36" |
| EBDB24   EuroBar 24" Drainboard | 24" x 24" x 36" |

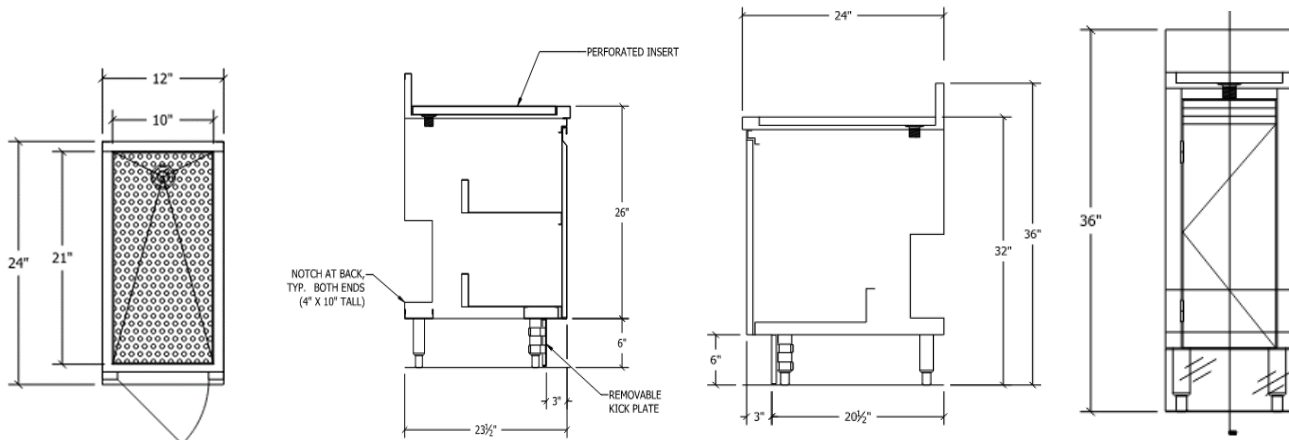
### FEATURES

- Full cabinet body with mid-shelf for storage and glass rack storage included with 24" Unit
- Removable perforated insert for easy cleaning
- Side panels are notched for easy utility routing
- Quality construction: 304 Stainless steel with 14ga Top/18ga Cabinet body and 6" stainless steel legs
- Made in the USA; NSF Approved

### ACCESSORIES (OPTIONAL)

- Main Workstation
- Under bar Liquor Display
- Blender Station with Dump Sink
- POS Station
- Trash Bin Cabinet
- Soda Gun Filler Section
- Spice Caddy
- Hand Sink

## DIMENSIONAL INFORMATION



### BUILD YOUR EUROBAR

Customize your EuroBar with a variety of modules and accessories at [eurobarstation.com/resources](http://eurobarstation.com/resources)



## EUROBAR DRAINBOARD SPECIFICATION SHEET

ITEM #: \_\_\_\_\_ QUANTITY: \_\_\_\_\_  
MODEL #: \_\_\_\_\_  
PROJECT NAME: \_\_\_\_\_



## EUROBAR HAND SINK

### MODEL NUMBER

EBCDS | EuroBar 12" Hand Sink

### DIMENSIONS (L X W X H)

12" x 24" x 36"

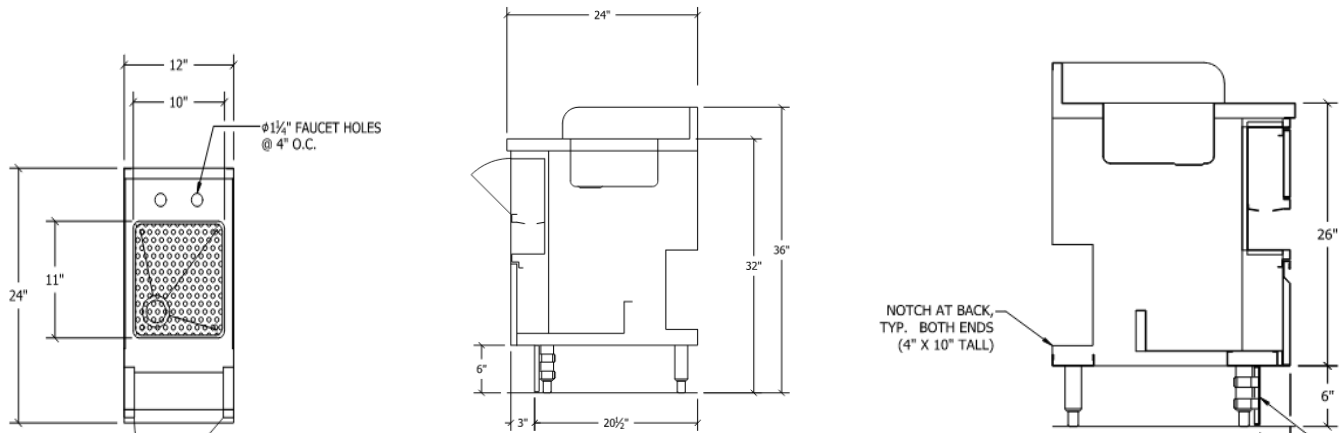
### FEATURES

- Standard left and right splash guards
- Tilting paper towel holder
- Cabinet body with door for storage
- Faucet and soap dispenser shipped loose for field installation
- Side panels are notched and floor is open at the back for easy utility routing
- Quality construction: 304 Stainless steel with 14ga Top/18ga Cabinet body and 6" stainless steel legs
- Made in the USA; NSF Approved

### ACCESSORIES (OPTIONAL)

- Main Work Station
- Craft Dump Sink
- Under bar Liquor Display
- Blender Station with Dump Sink
- POS Station
- Trash Bin Cabinet
- Soda Gun Filler Section
- Spice Caddy

## DIMENSIONAL INFORMATION



### BUILD YOUR EUROBAR

Customize your EuroBar with a variety of modules and accessories at [eurobarstation.com/resources](http://eurobarstation.com/resources)



## EUROBAR HAND SINK SPECIFICATION SHEET



ITEM #: \_\_\_\_\_ QUANTITY: \_\_\_\_\_  
 MODEL #: \_\_\_\_\_  
 PROJECT NAME: \_\_\_\_\_



## EUROBAR ICE BIN

### MODEL NUMBERS

### DIMENSIONS (L X W X H)

|                              |                 |
|------------------------------|-----------------|
| EBIB12   EuroBar 12" Ice-Bin | 12" x 24" x 36" |
| EBIB15   EuroBar 15" Ice-Bin | 15" x 24" x 36" |
| EBIB18   EuroBar 18" Ice-Bin | 18" x 24" x 36" |
| EBIB24   EuroBar 24" Ice-Bin | 24" x 24" x 36" |

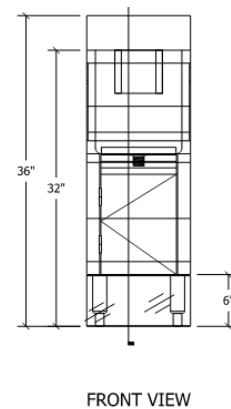
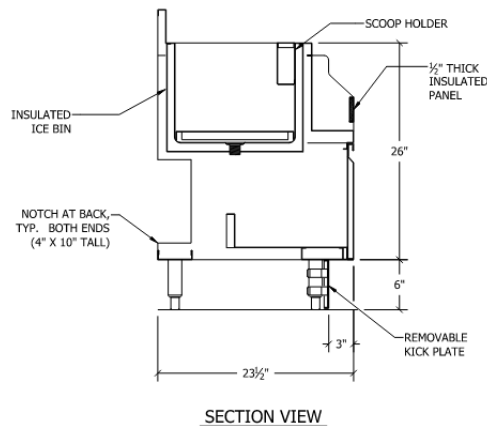
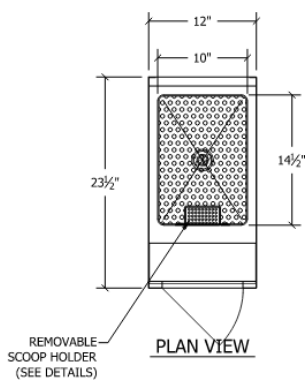
### FEATURES

- Full cabinet body with door and partial floor pan for storage
- Insulated ice bin with scoop holder
- Side panels are notched and floor is open at the back for easy utility routing
- Quality construction: 304 Stainless steel with 14ga Top/18ga Cabinet body and 6" stainless steel legs
- Made in the USA; NSF Approved

### ACCESSORIES (OPTIONAL)

- Main Workstation
- Under bar Liquor Display
- Blender Station with Dump Sink
- POS Station
- Trash Bin Cabinet
- Soda Gun Filler Section
- Spice Caddy
- Hand Sink

## DIMENSIONAL INFORMATION



## BUILD YOUR EUROBAR

Customize your EuroBar with a variety of modules and accessories at [eurobarstation.com/resources](http://eurobarstation.com/resources)



## EUROBAR ICE BIN SPECIFICATION SHEET

ITEM #: \_\_\_\_\_ QUANTITY: \_\_\_\_\_  
 MODEL #: \_\_\_\_\_  
 PROJECT NAME: \_\_\_\_\_



## EUROBAR ICED BOTTLE WELL

### MODEL NUMBERS

### DIMENSIONS (L X W X H)

|  |                 |
|--|-----------------|
| EBIBW12   EuroBar 12" Iced Bottle Well | 12" x 24" x 36" |
| EBIBW15   EuroBar 15" Iced Bottle Well | 15" x 24" x 36" |
| EBIBW18   EuroBar 18" Iced Bottle Well | 18" x 24" x 36" |
| EBIBW24   EuroBar 24" Iced Bottle well | 24" x 24" x 36" |

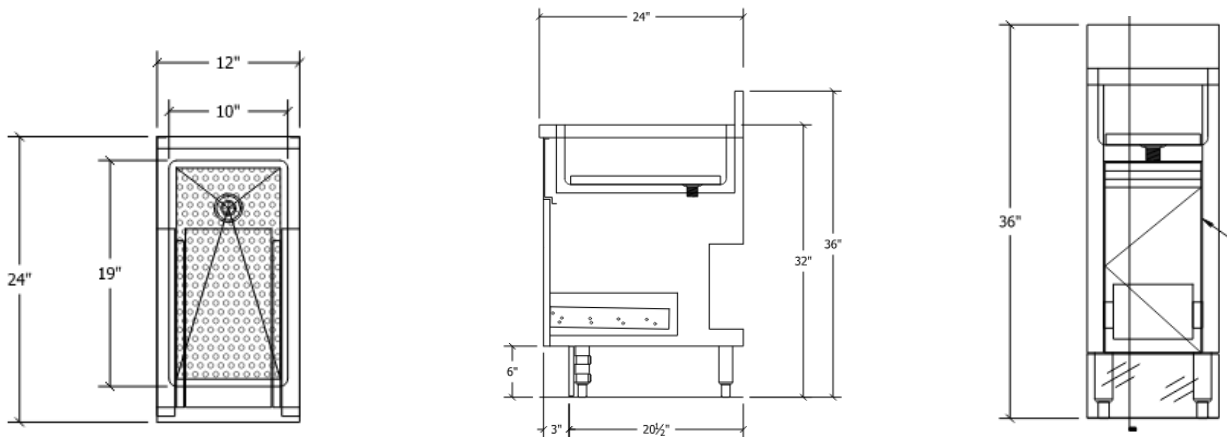
### FEATURES

- Full cabinet body with door and slide out drawer for additional bottle storage
- Insulated bottle well with drain
- Side panels are notched and floor is open at the back for easy utility routing
- Quality construction: 304 Stainless steel with 14ga Top/18ga Cabinet body and 6" stainless steel legs
- Made in the USA; NSF Approved

### ACCESSORIES (OPTIONAL)

- Main Workstation
- Under bar Liquor Display
- Blender Station with Dump Sink
- POS Station
- Trash Bin Cabinet
- Soda Gun Filler Section
- Spice Caddy
- Hand Sink

## DIMENSIONAL INFORMATION



### BUILD YOUR EUROBAR

Customize your EuroBar with a variety of modules and accessories at [eurobarstation.com/resources](http://eurobarstation.com/resources)



## EUROBAR ICED BOTTLE WELL SPECIFICATION SHEET

ITEM #: \_\_\_\_\_ QUANTITY: \_\_\_\_\_  
 MODEL #: \_\_\_\_\_  
 PROJECT NAME: \_\_\_\_\_



## EUROBAR POS STATION

### MODEL NUMBERS

### DIMENSIONS (L X W X H)

|                                   |                 |
|-----------------------------------|-----------------|
| EBPOS12   EuroBar 12" POS Station | 12" x 24" x 36" |
| EBPOS15   EuroBar 15" POS Station | 15" x 24" x 36" |
| EBPOS18   EuroBar 18" POS Station | 18" x 24" x 36" |
| EBPOS24   EuroBar 24" POS Station | 24" x 24" x 36" |

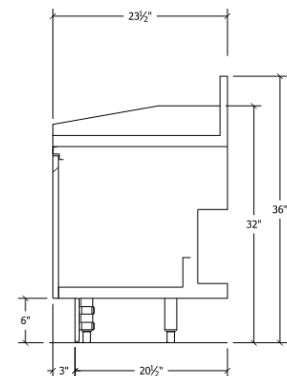
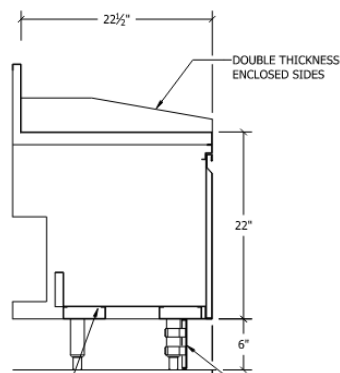
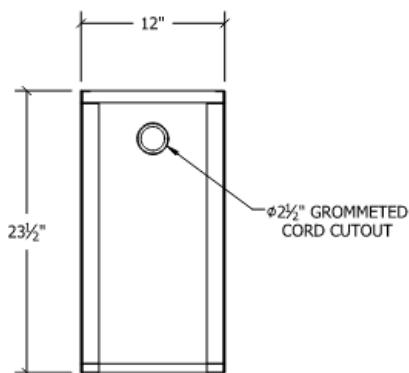
### FEATURES

- Large flat work area to set POS station
- Pre-drilled grommet hole for seamless connection to POS system
- Side panels are notched for easy utility routing
- Quality construction: 304 Stainless steel with 14ga Top/18ga Cabinet body and 6" stainless steel legs
- Made in the USA; NSF Approved

### ACCESSORIES (OPTIONAL)

- Main Workstation
- Under bar Liquor Display
- Blender Station with Dump Sink
- POS Station
- Trash Bin Cabinet
- Soda Gun Filler Section
- Spice Caddy
- Hand Sink

## DIMENSIONAL INFORMATION



### BUILD YOUR EUROBAR

Customize your EuroBar with a variety of modules and accessories at [eurobarstation.com/resources](http://eurobarstation.com/resources)



## EUROBAR POS STATION SPECIFICATION SHEET

ITEM #: \_\_\_\_\_ QUANTITY: \_\_\_\_\_  
MODEL #: \_\_\_\_\_  
PROJECT NAME: \_\_\_\_\_



## EUROBAR THREE COMPARTMENT SINK

### MODEL NUMBER

EB3CS24 | EuroBar Three Compartment Sink

### DIMENSIONS (L X W X H)

60" x 24" x 36"

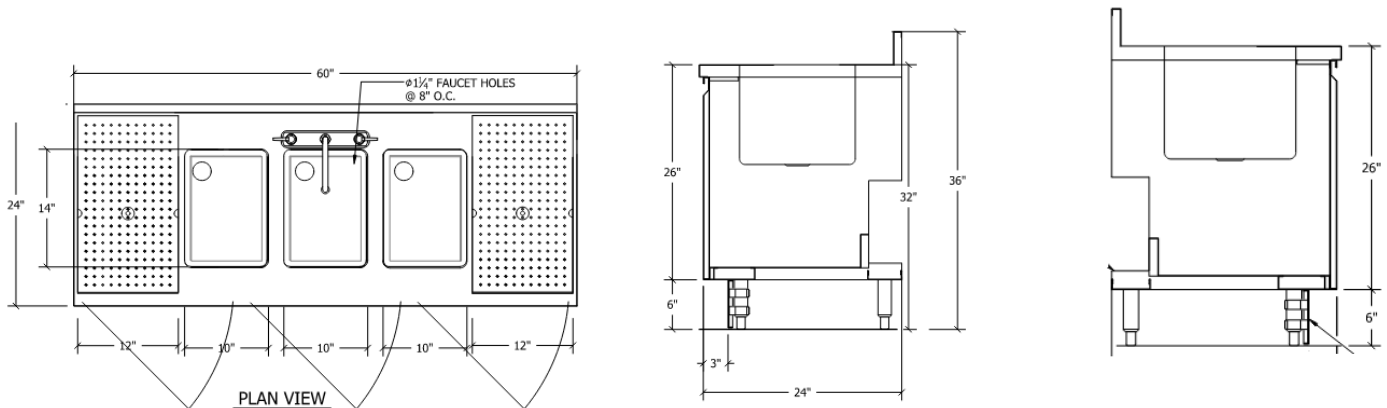
### FEATURES

- 10"x14"x12" compartment wash bays
- Left and right integral drain boards
- Cabinet body with doors for storage
- Faucet shipped loose for field installation
- Side panels are notched and floor is open at the back for easy utility routing
- Quality construction: 304 Stainless steel with 14ga Top/18ga Cabinet body and 6" stainless steel legs
- Made in the USA; NSF Approved

### ACCESSORIES (OPTIONAL)

- Main Work Station
- Craft Dump Sink
- Hand sink
- Under bar Liquor Display
- Blender Station with Dump Sink
- POS Station
- Trash Bin Cabinet
- Soda Gun Filler Section
- Spice Caddy

## DIMENSIONAL INFORMATION



### BUILD YOUR EUROBAR

Customize your EuroBar with a variety of modules and accessories at [eurobarstation.com/resources](http://eurobarstation.com/resources)



## EUROBAR THREE COMPARTMENT SINK SPECIFICATION SHEET

ITEM #: \_\_\_\_\_ QUANTITY: \_\_\_\_\_  
 MODEL #: \_\_\_\_\_  
 PROJECT NAME: \_\_\_\_\_



## EUROBAR WORK SPACE UNIT

### MODEL NUMBERS

### DIMENSIONS (L X W X H)

|                                       |                 |
|---------------------------------------|-----------------|
| EBWSU12   EuroBar 12" Work space unit | 12" x 24" x 36" |
| EBWSU15   EuroBar 15" Work space unit | 15" x 24" x 36" |
| EBWSU18   EuroBar 18" Work space unit | 18" x 24" x 36" |
| EBWSU24   EuroBar 24" Work space unit | 24" x 24" x 36" |

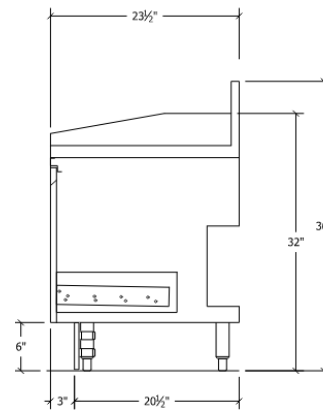
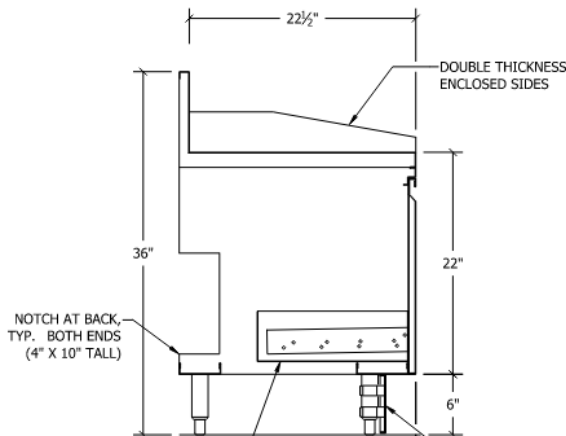
### FEATURES

- Large flat work area for extra storage as needed
- Side panels are notched for easy utility routing of adjacent modules
- Quality construction: 304 Stainless steel with 14ga Top/18ga Cabinet body and 6" stainless steel legs
- Made in the USA; NSF Approved

### ACCESSORIES (OPTIONAL)

- Main Workstation
- Under bar Liquor Display
- Blender Station with Dump Sink
- POS Station
- Trash Bin Cabinet
- Soda Gun Filler Section
- Spice Caddy
- Hand Sink

## DIMENSIONAL INFORMATION



### BUILD YOUR EUROBAR

Customize your EuroBar with a variety of modules and accessories at [eurobarstation.com/resources](http://eurobarstation.com/resources)



## EUROBAR WORK SPACE UNIT SPECIFICATION SHEET

