

EuroBar^{®/©}

The Ultimate Space For Elevated Taste





Elevated Space for Better Taste



An innovative modular Bar Station that allows for a more comfortable, eye appealing, and sanitary beverage service.

Personalize the order of the modules.

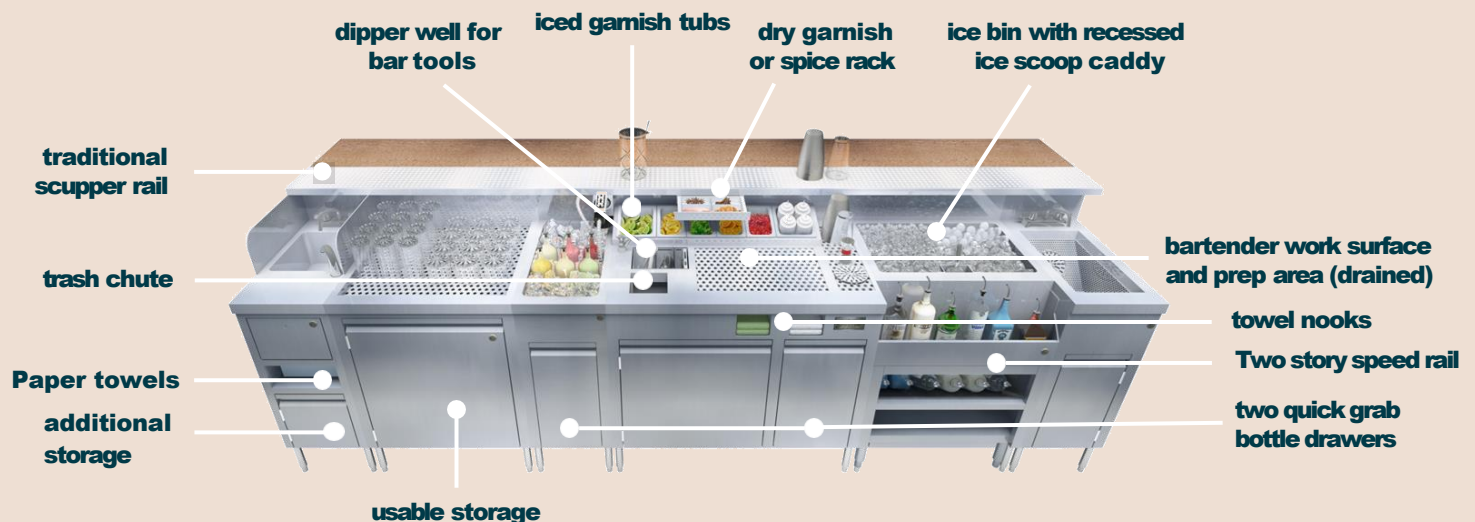
Why do you need the EuroBar?

Consumer tastes are evolving and there is a demand for a broader range of products to be served at the bar. Fresh juices, coffee drinks, and mocktails are revenue generators, and customer satisfaction magnets; they do however make service challenging for bars that are only setup to make cocktails.

American bars and restaurants are becoming more and more like establishments overseas where these traditions and services have been a reality for a long time.

Consequently, the solution to this challenge can be found in traditional bar layouts and mise en place practices of the past and the centuries old layout of European bars is more suitable than ever for today's demands.

The EuroBar is American made and NSF approved. Its design is inspired by the time-tested European workstations that offer the much needed "prep surface". The result is a bar station that increases efficiency, decreases ice contamination, eliminates clutter, and puts a lot less pain on the lower back of the bartender.



EuroBarStation.com

Design and specifications are subject to change without notice • (c)/© EuroBarLV, LLC. All Rights Reserved • Rev. 3/2024



We are young, thirsty, and motivated.

EuroBar was born in 2020 from a hand sketch. Livio Lauro, our founder, designed a workstation that he, and his fellow bartenders, would love to work on. He carries fond memories of working behind European-designed bar stations in the early years of his career in Italy. Once the concept took form, he reached out to key players in the industry that he met in his 30 years career and brought it to life.



EuroBar is proudly manufactured in Fort Smith, Arkansas and distributed by many reputable wholesalers around the USA and abroad.

An organized workspace is key to elevating a venue and bringing higher profits.

European bars are designed to cater to customers' desires throughout the day, serving everything from cappuccinos, healthy drinks, to frozen specialties, cocktails and so much more. The bartender's center workstation usually houses an organized area to display an array of bar tools, garnishes, and a convenient trash chute, all within arm's reach. Drawing inspiration from this concept, EuroBar was adapted to the American style, in a modular unit that seamlessly fits within the 24-inch space between the bar's die wall and the bartender's realm. Every unit is NSF certified.



Elevated Space for Better Taste

The EuroBar Cocktail Station Features

- 304 Grade stainless steel 14-gauge top / 18-gauge body (higher quality and less noisy)
- All units are 32" high
- Center Station module includes 6 integrated iced condiment pans, glass rinser, drain board, and a sectional health code compliant tool caddy
- Ice bin module available in 4 sizes is set to the side of the prep area allowing for no spilling of ingredients or contamination into the ice
- Sleek recessed ice scoop caddy on the ice bin offers superior sanitary, and quick accessibility
- Recessed bottle caddy module with side speed racks for optimal reach for service staff for an easy product grab with left and right hands
- Insulated Bottle Well stores (15) 750ml bottles or (10) 1-liter bottles with speedy access
- Double recessed hand towel and bar rag caddies & integrated paper towel dispenser
- Bartender can easily prepare drinks without the speed rack on the main station pressing into knees and legs (or pour spouts rubbing on their pants)
- Preparing drinks on a 33" surface allows the bartender to be closer to prep area
- Dry waste chute at arm's reach
- Sectioned Ice Bin available in different sizes:
 - 15" Wide 40 lbs. of ice
 - 18" Wide 45 lbs. of ice
 - 21" Wide 55 lbs. of ice
 - 24" Wide 60 lbs. of ice

(Soda Gun Holder & 10 Circuit Cold plate options available) (Soda Gun not included)



Contents

Page 6: Improved Posture and Hygiene
Page 7 - 8: Selecting your EuroBar Units
Page 9 - 12: Drainboard Cabinets
Page 13 - 16: Blender Stations with Dump Sink
Page 17: Craft Dump Sink
Page 18: Dump Sink
Page 19 - 22: Ice Bins
Page 23 - 26: Iced Bottle Wells
Page 27 - 30: Underbar Liquor Display
Page 31: Main Station
Page 32: Spice Caddy
Page 33 – 34: Three Comp Sinks
Page 35: Hand Sink
Page 36 - 39: Underbar Free Space Units W/Drawers
Page 40 - 41: Soda Gun Filler Unit
Page 42 – 43: Underbar Trash Bin Cabinets
Page 44: Accessories

Scan this QR Code for the latest version of this book!



IMPROVE POSTURE & REDUCE INJURY

EuroBar Posture



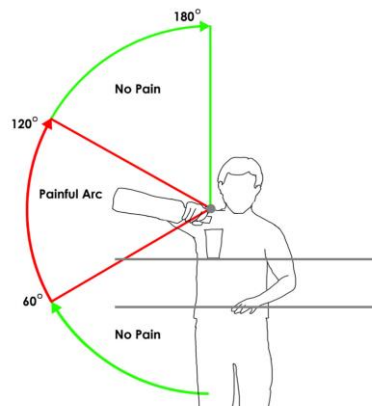
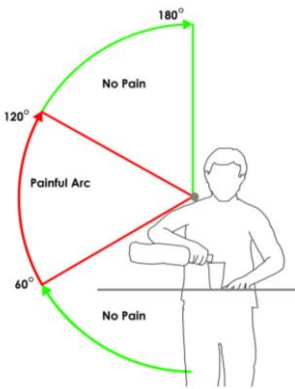
Traditional Posture



The most common bartender injuries can be associated with bad posture causing injuries or pain to the lower back, shoulder and elbow.

“The EuroBar® can significantly limit the three most common injuries seen in physical therapy related to bartending.”

Jimmy Greathouse, DPT
Greathouse Physical Therapy/Sports Science Training



IMPROVE HYGIENE: SPILLAGE & SPIT DROPLETS

It is a known fact that ice can be easily contaminated when the ice bin is located directly under the Bartenders drink-prep rail. Ingredients splash into the ice and are then transferred into the next drink.

What about spit? Researches from *The New England Journal of Medicine* demonstrated how droplets are released when speaking in a raised voice and talking normally.

Overall, droplets between 20 microns across and 200 microns across were created when the scientists spoke. The louder the scientists spoke; the more spit was sent flying.

The layout of the EuroBar station places the ice to the right-hand side of the bartender’s center stage – away from the spills and most of the talking. Spit droplets and other spills end up on a wipeable stainless-steel surface.



Selecting Your EuroBar Units

The EuroBar is completely modular and customizable. You will not need every unit in this product brochure and what you will need depends on several different factors such as space available, number of bar stations, plumbing, budget and much more. At the basic level, the EuroBar station should be comprised of 4 modules, in our opinion the most efficient way to lay them out is from left to right:

- Iced Bottle Well / Main Station / Ice Bin / Dump Sink
- You can then accessorize the rest of your bar with the other units found in this guide and even personalize them with the accessories found on page 21.
- We are always at your disposal to assist with your drawing. Our contact info is located at the back of this guide.



HOW TO BUILD YOUR EUROBAR?

STEP 1: SELECT FROM PRE-CONFIGURED MODELS

We've simplified the process with 3 pre-configured bar layouts available in 75 , 78 , and 84 Inches. These models include Main Station, Juice Well, Bottle Well Drawer, Ice Bin with Speed Rail, and Craft Dump Sink. Order these models as is or select from our list of custom modules to enhance your bar station.



Note: Footing is consolidated to 4 in front / 4 in back.

	EBPCU75 75" PRE-CONFIGURED UNIT	EBPCU78 78" PRE-CONFIGURED UNIT	EBPCU84 84" PRE-CONFIGURED UNIT
Juice Well	6 bottles (Plus 5 in the Drawer)	6 bottles (Plus 5 in the Drawer)	6 bottles (Plus 5 in the Drawer)
Main Station Drawer	6 bottles	6 bottles	6 bottles
Side Speed Rail	4 bottles	5 bottles	6 bottles
Ice Bin	15 Inches	18 Inches	24 Inches
Storage Cabinet Space	5 sq. ft.	6 sq. ft.	7 sq. ft.
Trash Can Capacity	41 qt / 10 Gallon	41 qt / 10 Gallon	41 qt / 10 Gallon
Stainless Steel	304-grade; 14-gauge top; 18-gauge body		

STEP 2: SELECT CUSTOM MODULES TO COMPLETE YOUR BAR

Create your unique EuroBar layout by selecting from our list of custom modules to complete your design. Either add these modules to the pre-configured model or mix and match modules for a complete customized bar station.



CUSTOM MODULE LIST (*AVAILABLE IN 12", 15", 18" AND 24")

Main Workstation	Iced Bottle Well*	Soda Gun
Ice Bin w/ Speed Rail*	Blender Station w/ Dump Sink*	Hand Sink
Dump Sink	Underbar Free Space*	Spice Caddy
Drain Board w/ Storage Shelf*	Underbar Liquor Display*	Trash Bin Cabinet

*See page 8 for additional specification for each module



12" DRAINBOARD W/ STORAGE SHELF

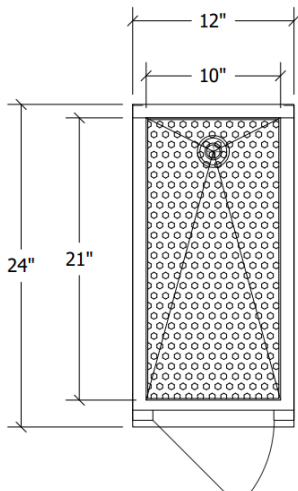
Model: **EBDB12**

PRODUCT DETAIL

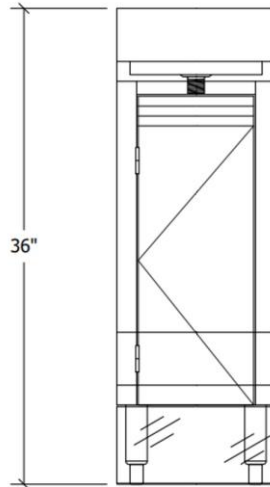
Length	12"
Depth	24"
Drain Size	1" NPT
Features	Removable perforated insert. Bottom cabinet area included. Adjustable shelving



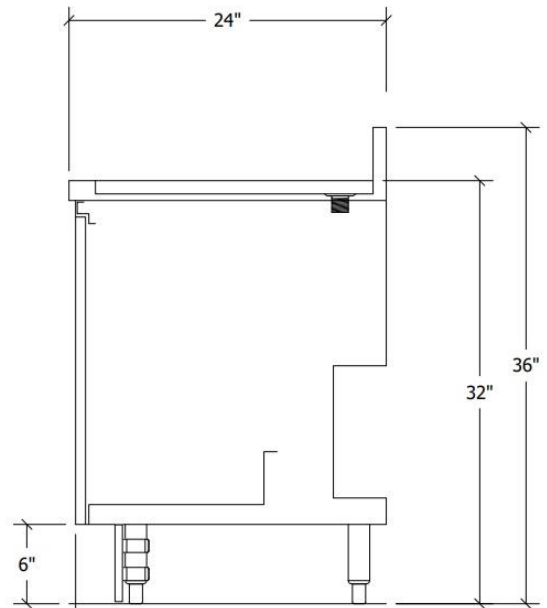
MAIN SCALE: 1 SECTION SCALE: 1



PLAN VIEW



FRONT VIEW



SIDE VIEW

Download the full-page PDF Cut Sheet for this item at: eurobarstation.com/EBDB12DRAINBOARD



15" DRAINBOARD W/ STORAGE SHELF

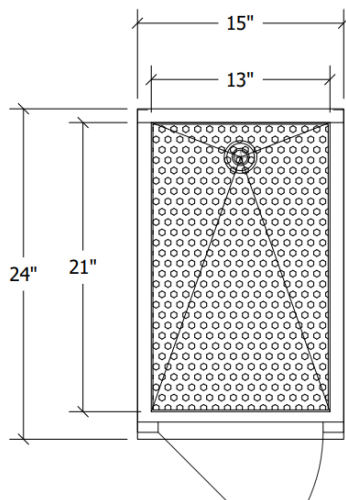
Model: EBDB15

PRODUCT DETAIL

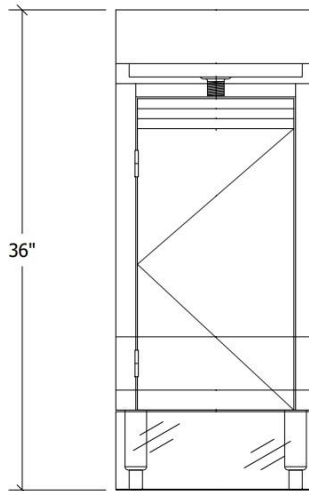
Length	15"
Depth	24"
Drain Size	1" NPT
Features	Removable perforated insert. Bottom cabinet area included. Adjustable shelving



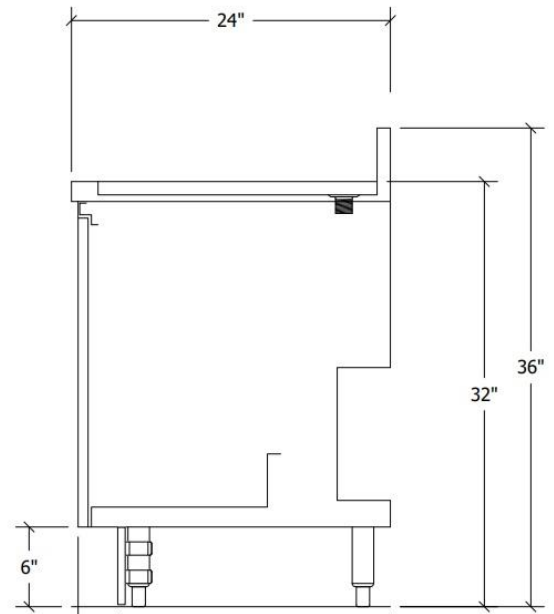
MAIN SCALE: 1 SECTION SCALE: 1



PLAN VIEW



FRONT VIEW



SIDE VIEW

Download the full-page PDF Cut Sheet for this item at: eurobarstation.com/EBDB15DRAINBOARD

18" DRAINBOARD W/ STORAGE SHELF

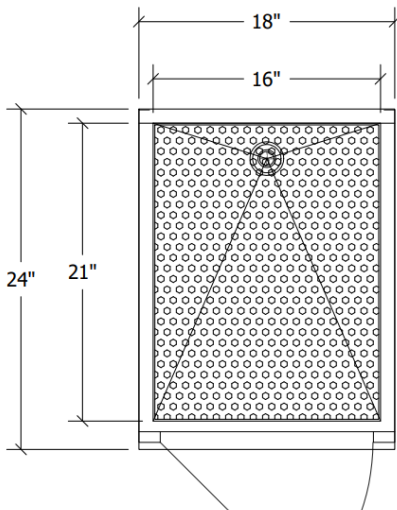
Model: **EBDB18**

PRODUCT DETAIL

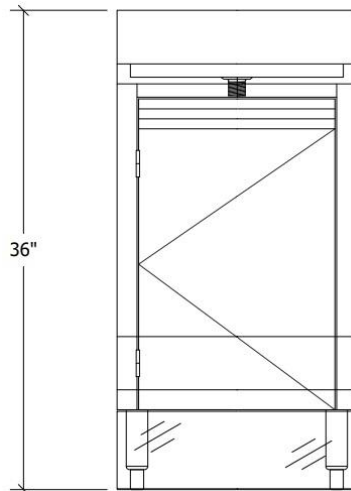
Length	18"
Depth	24"
Drain Size	1" NPT
Features	Removable perforated insert. Bottom cabinet area included. Adjustable shelving



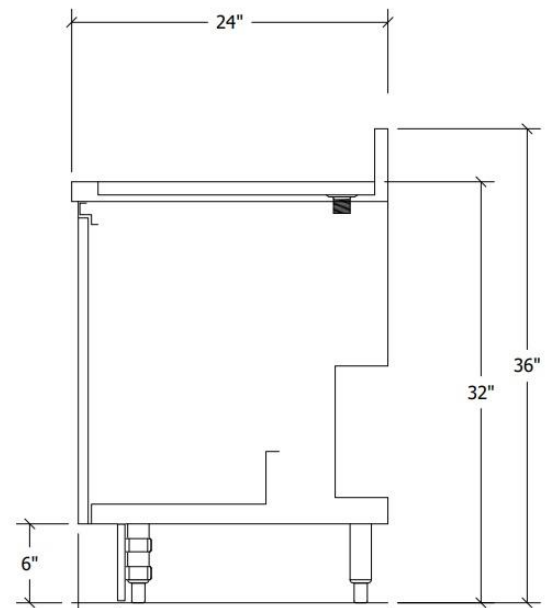
MAIN SCALE: 1 SECTION SCALE: 1



PLAN VIEW



FRONT VIEW



SIDE VIEW

Download the full-page PDF Cut Sheet for this item at: eurobarstation.com/EBDB18DRAINBOARD

24" DRAINBOARD W/ STORAGE SHELF

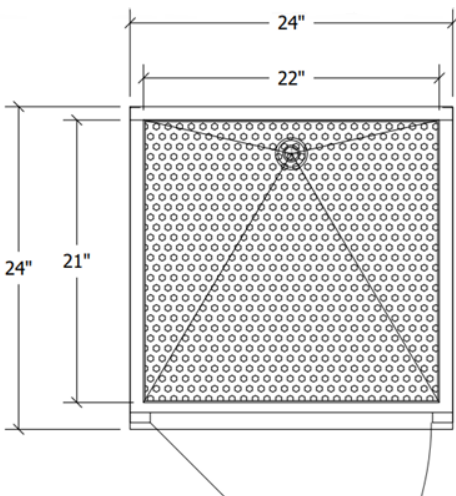
Model: **EBDB24**

PRODUCT DETAIL

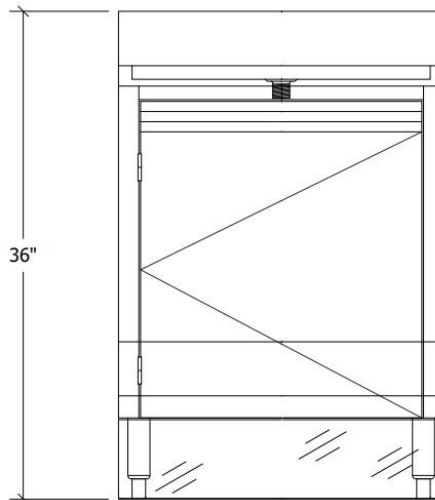
Length	24"
Depth	24"
Drain Size	1" NPT
Features	Removable perforated insert. Bottom cabinet area included. Adjustable shelving



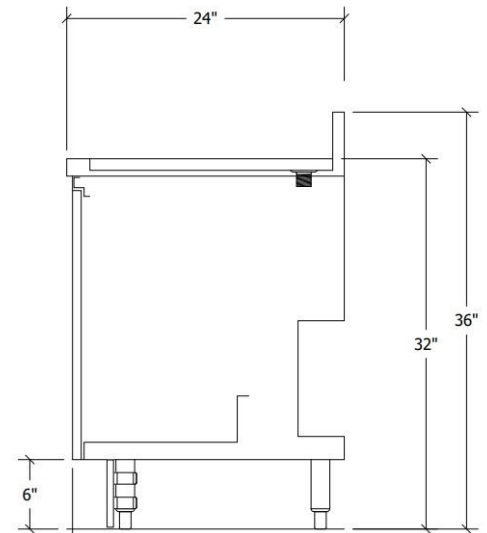
MAIN SCALE: 1 SECTION SCALE: 1



PLAN VIEW



FRONT VIEW



SIDE VIEW

Download the full-page PDF Cut Sheet for this item at: eurobarstation.com/EBDB24DRAINBOARD



12" BLENDER STATION W/ DUMP SINK

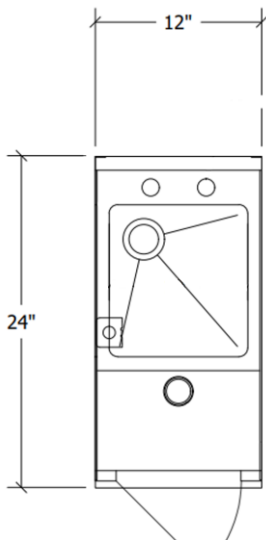
Model: **EBDSBS12**

PRODUCT DETAIL

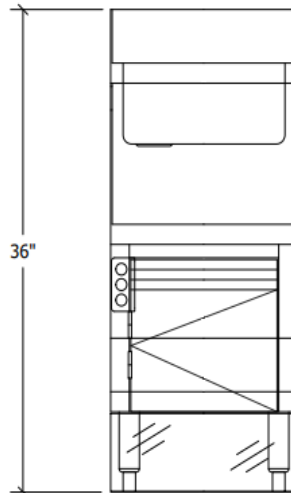
Length	12"
Depth	24"
Faucet	Various 4" faucets available
Bowl Size	L 10" x W10" x D6"
Drainpipe Size	1"
Features	Metal utility box for duplex receptacle mounted underneath. GFCI required. Bottom cabinet area include.



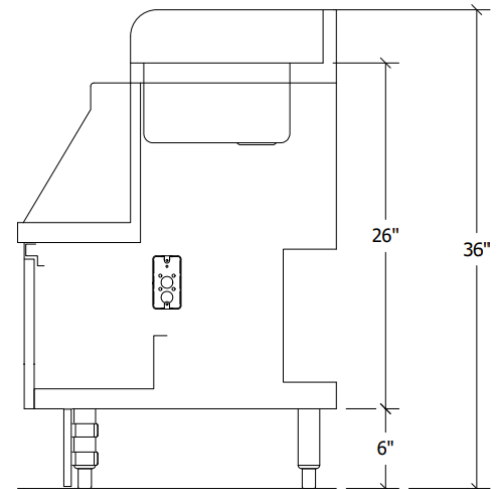
MAIN SCALE: 1 SECTION SCALE: 1



PLAN VIEW



FRONT VIEW



SIDE VIEW

Download the full-page PDF Cut Sheet for this item at: eurobarstation.com/EBDSB12BLENDERSTN



15" BLENDER STATION W/ DUMP SINK

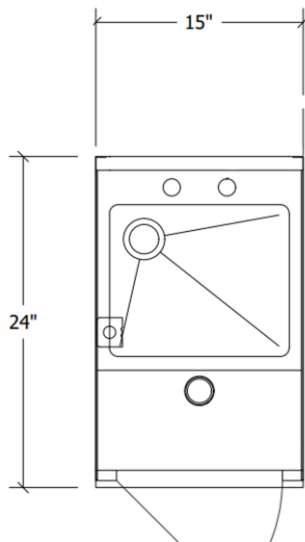
Model: **EBDSBS15**

PRODUCT DETAIL

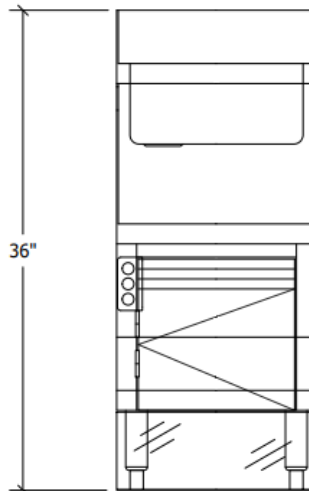
Length	15"
Depth	24"
Faucet	Various 4" faucets available
Bowl Size	L 10" x W13" x D6"
Drainpipe Size	1"
Features	Metal utility box for duplex receptacle mounted underneath. GFCI required. Bottom cabinet area include.



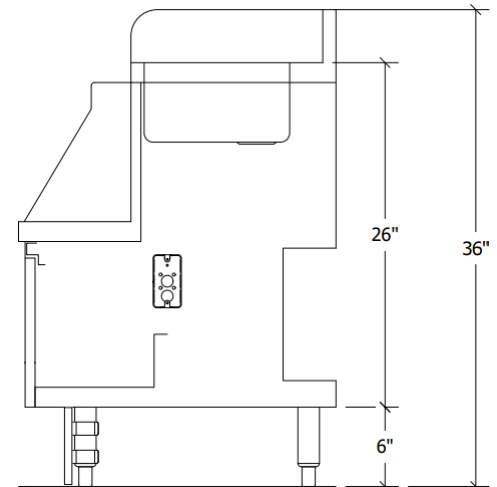
MAIN SCALE: 1 SECTION SCALE: 1



PLAN VIEW



FRONT VIEW



SIDE VIEW

Download the full-page PDF Cut Sheet for this item at: eurobarstation.com/EBDSB15BLENDERSTN



18" BLENDER STATION W/ DUMP SINK

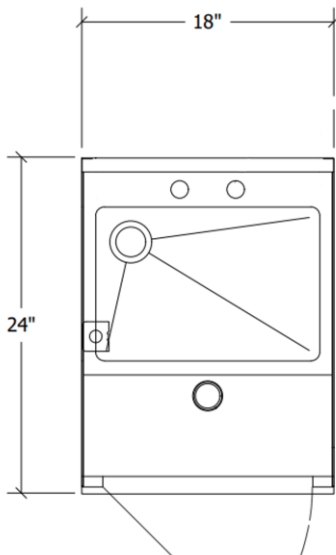
Model: **EBDSBS18**

PRODUCT DETAIL

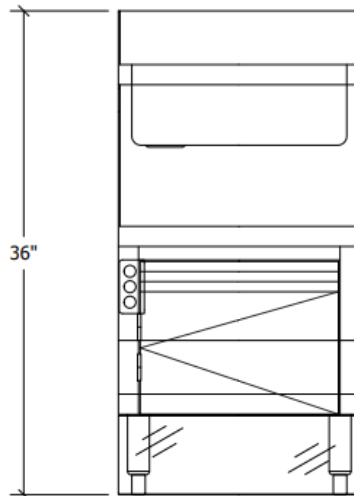
Length	18"
Depth	24"
Faucet	Various 4" faucets available
Bowl Size	L 10" x W16" x D6"
Drainpipe Size	1"
Features	Metal utility box for duplex receptacle mounted underneath. GFCI required. Bottom cabinet area include.



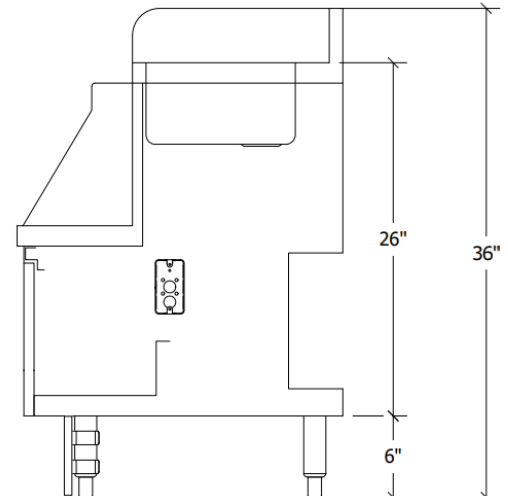
MAIN SCALE: 1 SECTION SCALE: 1



PLAN VIEW



FRONT VIEW



SIDE VIEW

Download the full-page PDF Cut Sheet for this item at: eurobarstation.com/EBDSB18BLENDERSTN



24" BLENDER STATION W/ DUMP SINK

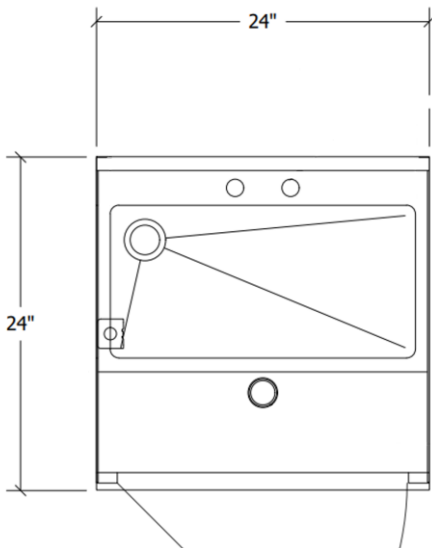
Model: **EBDSBS24**

PRODUCT DETAIL

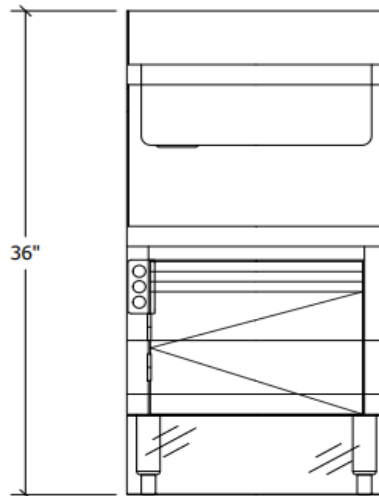
Length	24"
Depth	24"
Faucet	Various 4" faucets available
Bowl Size	L 10" x W22" x D6"
Drainpipe Size	1"
Features	Metal utility box for duplex receptacle mounted underneath. GFCI required. Bottom cabinet area include.



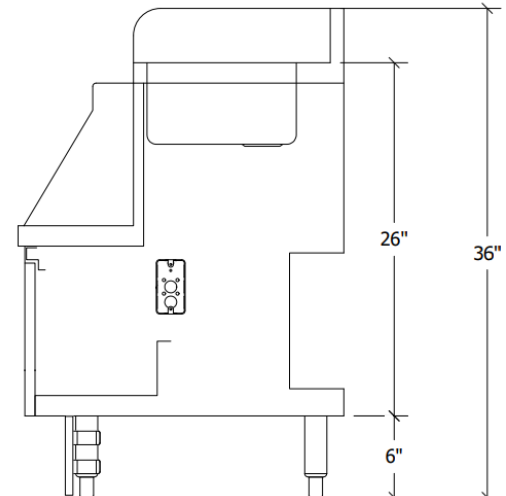
MAIN SCALE: 1 SECTION SCALE: 1



PLAN VIEW



FRONT VIEW



SIDE VIEW

Download the full-page PDF Cut Sheet for this item at: eurobarstation.com/EBDSBS24BLENDERSTN



CRAFT DUMP SINK

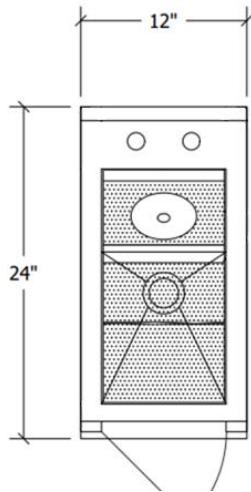
Model: **EBCDS12**

PRODUCT DETAIL

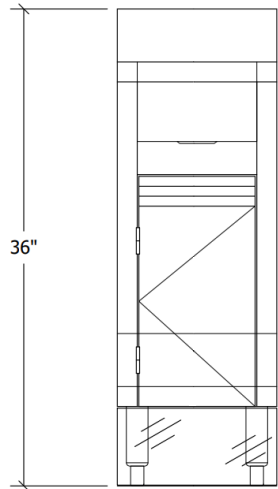
Length	12"
Depth	24"
Construction	304 Stainless Steel
Features	Glass Rinser



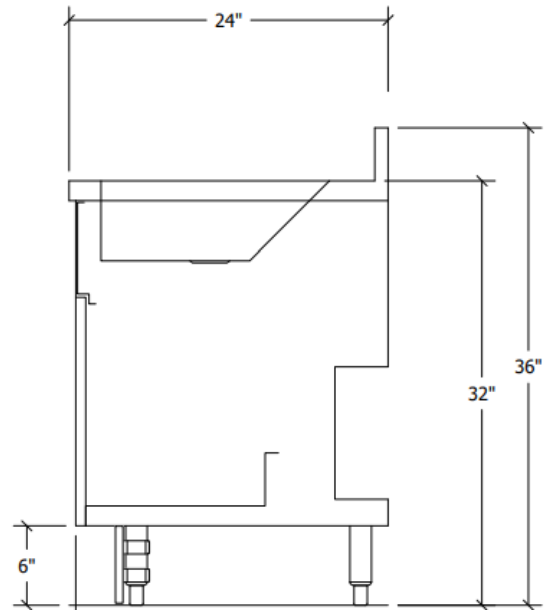
MAIN SCALE: 1 SECTION SCALE: 1



PLAN VIEW



FRONT VIEW



SIDE VIEW

Download the full-page PDF Cut Sheet for this item at: eurobarstation.com/EBCDS12CRAFTDUMPSINK



DUMP SINK
Model: EBDS12

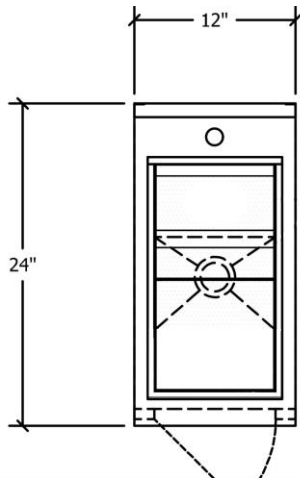
PRODUCT DETAIL

Length 12"
Depth 24"
Construction 304 Stainless Steel

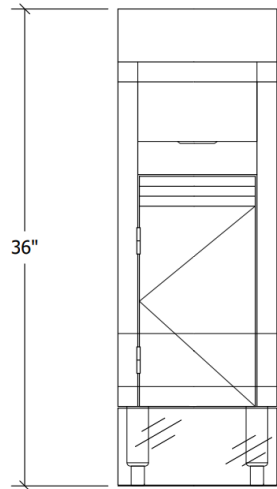
Note: This unit does not include a Rinser in the basin. For that feature see EBCDS model



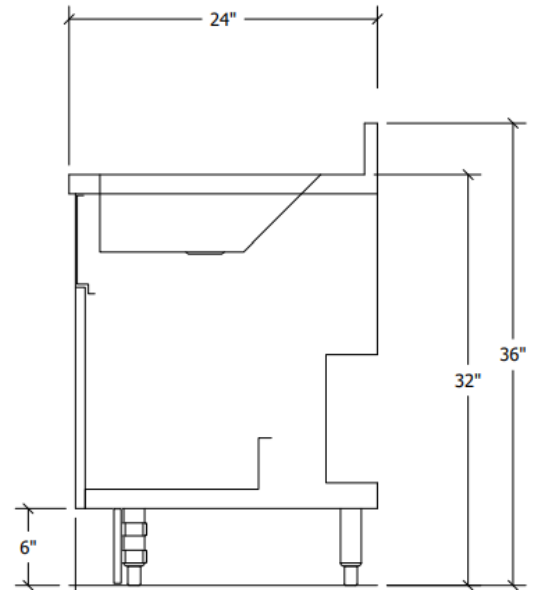
MAIN SCALE: 1 SECTION SCALE: 1



PLAN VIEW



FRONT VIEW



SIDE VIEW

Download the full-page PDF Cut Sheet for this item at: eurobarstation.com/EBDS12DUMPSINK

12" ICE BIN W/ SPEED RACK

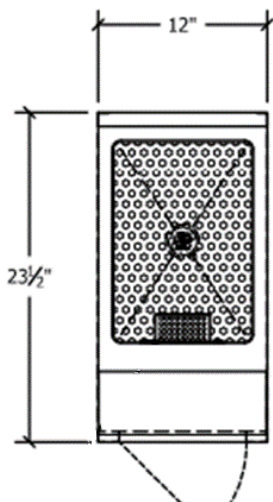
Model: **EBIB12**

PRODUCT DETAIL

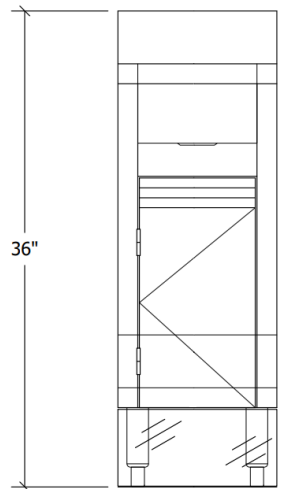
- Length 12"
- Depth 24"
- Drain Size 3/4" IPT
- Includes Speed Rail (Length of Unit)
- Features 12" deep liner
- Bottom cabinet area included
- Recessed ice scoop holder
- Ice bin partitions available upon request



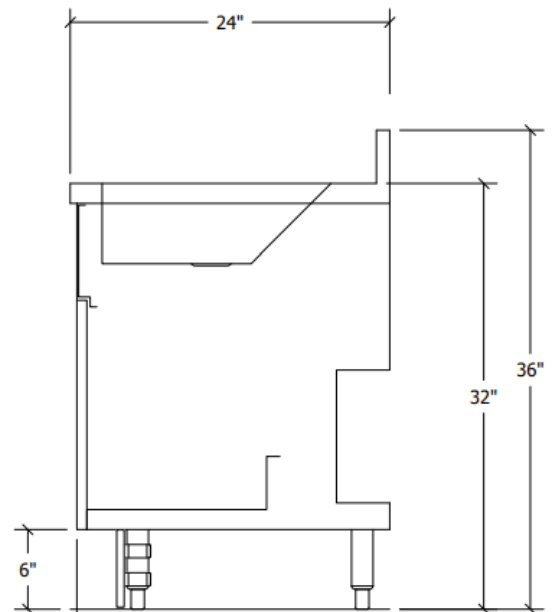
MAIN SCALE: 1 SECTION SCALE: 1



PLAN VIEW



FRONT VIEW



SIDE VIEW

Download the full-page PDF Cut Sheet for this item at: eurobarstation.com/EBIB12ICEBIN



15" ICE BIN W/ SPEED RACK

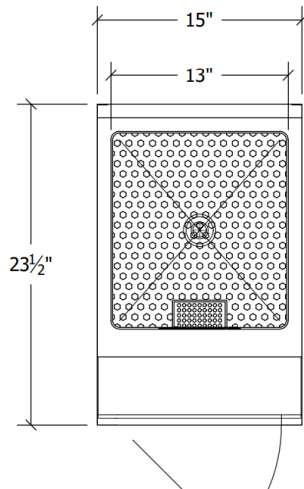
Model: **EBIB15**

PRODUCT DETAIL

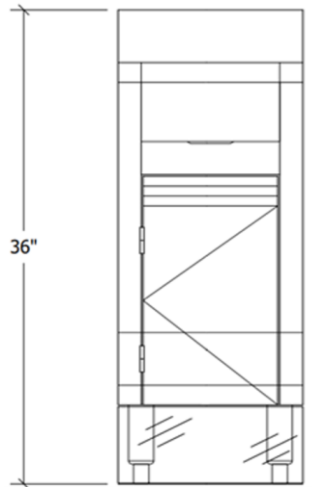
- Length 15"
- Depth 24"
- Drain Size 3/4" IPT
- Includes Speed Rail (Length of Unit)
- Features 12" deep liner
- Bottom cabinet area included
- Recessed ice scoop holder
- Ice bin partitions available upon request



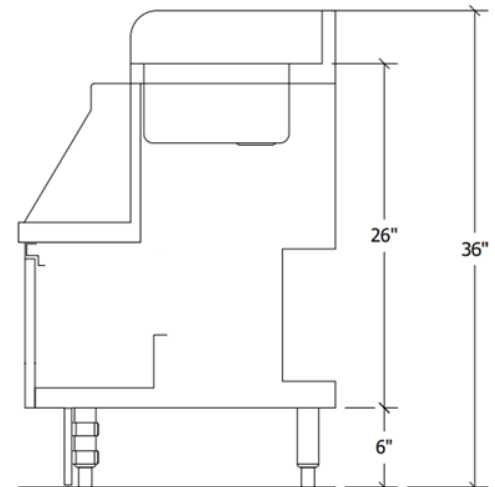
MAIN SCALE: 1 SECTION SCALE: 1



PLAN VIEW



FRONT VIEW



SIDE VIEW

Download the full-page PDF Cut Sheet for this item at: eurobarstation.com/EBIB15ICEBIN



18" ICE BIN W/ SPEED RACK

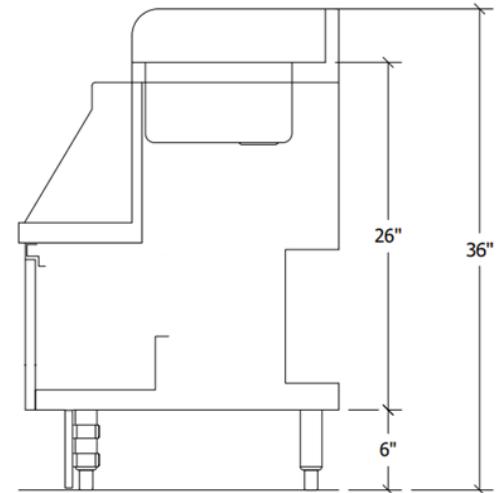
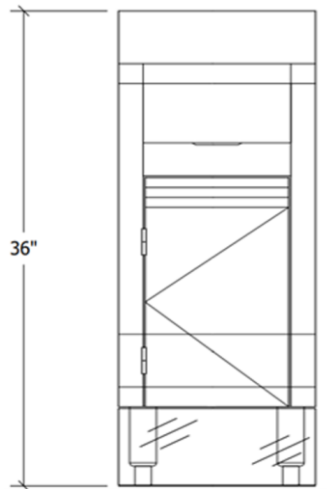
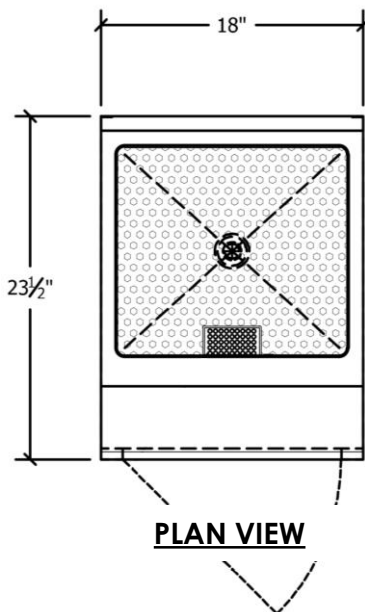
Model: **EBIB18**

PRODUCT DETAIL

- Length 18"
- Depth 24"
- Drain Size 3/4" IPT
- Includes Speed Rail (Length of Unit)
- Features 12" deep liner
- Bottom cabinet area included
- Recessed ice scoop holder
- Ice bin partitions available upon request
- 7- line Cold Plate available on units 18" and up.



MAIN SCALE: 1 SECTION SCALE: 1



Download the full-page PDF Cut Sheet for this item at: eurobarstation.com/EBIB18ICEBIN



24" ICE BIN W/ SPEED RACK

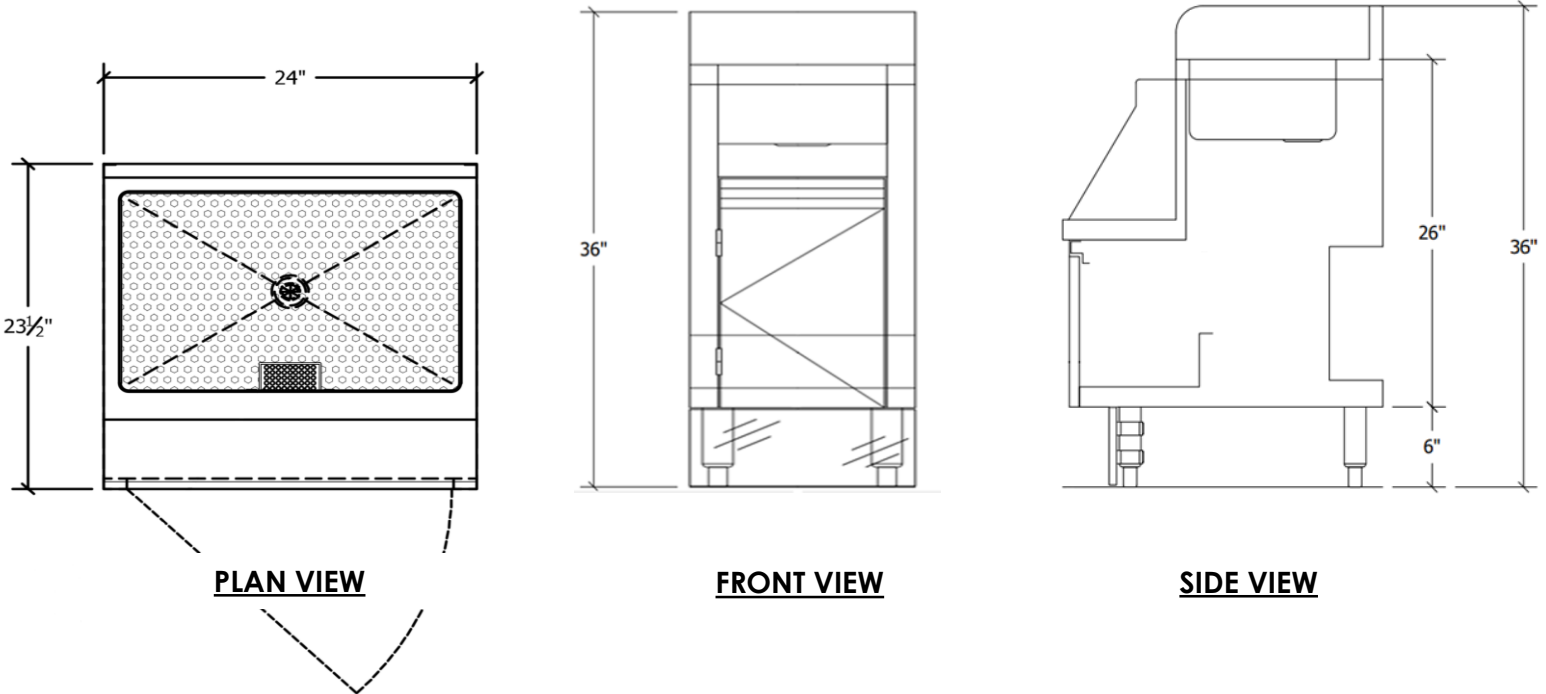
Model: **EBIB24**

PRODUCT DETAIL

- Length 18"
- Depth 24"
- Drain Size 3/4" IPT
- Includes Speed Rail (Length of Unit)
- Features 12" deep liner
- Bottom cabinet area included
- Recessed ice scoop holder
- Ice bin partitions available upon request
- 7- line Cold Plate available on units 18" and up. – Cold Plate on 24" unit



MAIN SCALE: 1 SECTION SCALE: 1



Download the full-page PDF Cut Sheet for this item at: eurobarstation.com/EBIB24ICEBIN



12" ICED BOTTLE WELL (Commonly used for juice/elixir bottles)

Model: **EBIBW12**

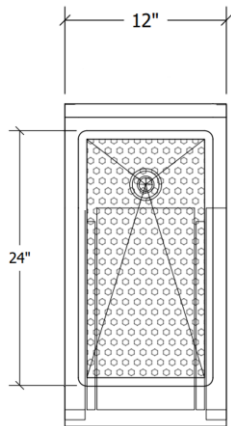
**PRODUCT
DETAIL**

- Length** 12"
- Depth** 24"
- Features** 6" Deep Bowl Depth
Used for Quick-grab liquor, juice & wine bottles
Bottom cabinet drawer fits full size bottles.

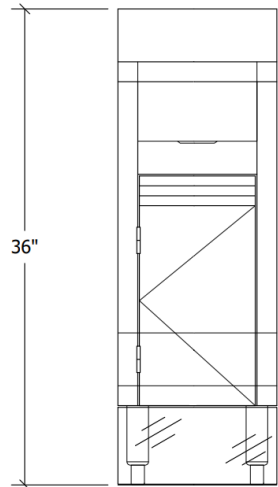


Note: Customizable Bottle Divider for this unit available by request

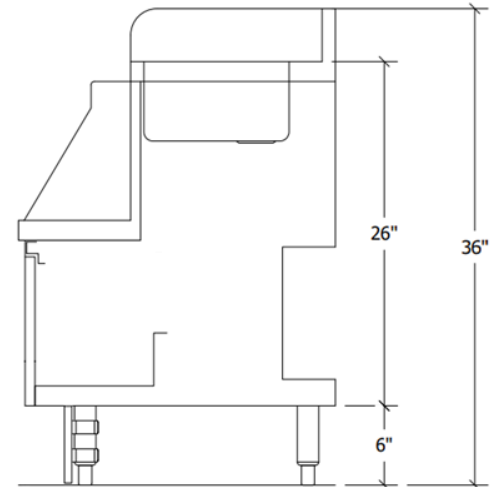
MAIN SCALE: 1 SECTION SCALE: 1



PLAN VIEW



FRONT VIEW



SIDE VIEW

Download the full-page PDF Cut Sheet for this item at: eurobarstation.com/EBIBW12ICEDBTLWELL



15" ICED BOTTLE WELL (Commonly used for juice/elixir bottles)

Model: **EBIBW15**

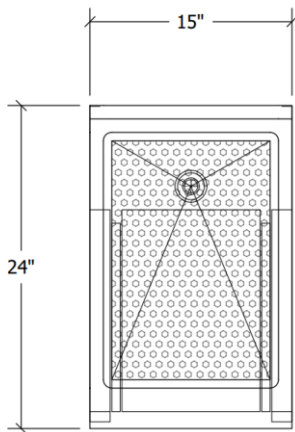
PRODUCT DETAIL

- Length** 15"
- Depth** 24"
- Features** 6" Deep Bowl Depth
Used for Quick-grab liquor, juice & wine bottles
Bottom cabinet drawer fits full size bottles.

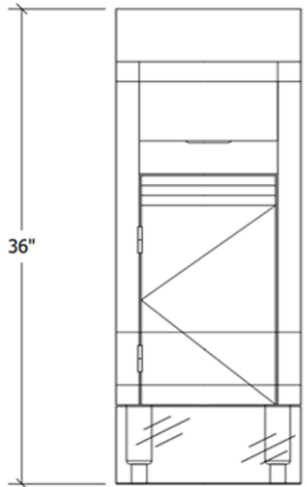


Note: Customizable Bottle Divider for this unit available by request

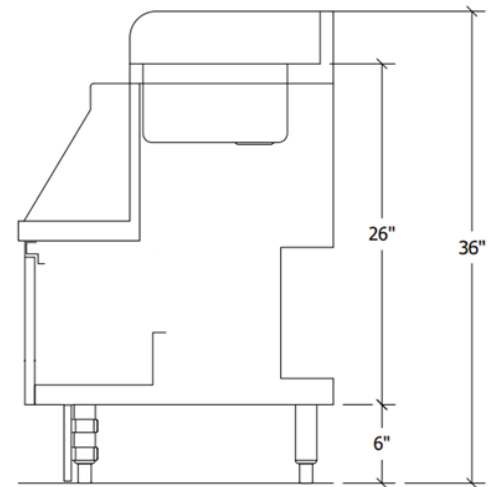
MAIN SCALE: 1 SECTION SCALE: 1



PLAN VIEW



FRONT VIEW



SIDE VIEW

Download the full-page PDF Cut Sheet for this item at: eurobarstation.com/EBIBW15ICEDBTLWELL



18" ICED BOTTLE WELL (Commonly used for juice/elixir bottles)

Model: **EBIBW18**

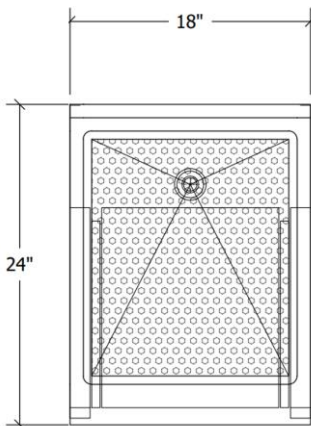
**PRODUCT
DETAIL**

- Length** 18"
- Depth** 24"
- Features** 6" Deep Bowl Depth
Used for Quick-grab liquor, juice & wine bottles
Bottom cabinet drawer fits full size bottles.

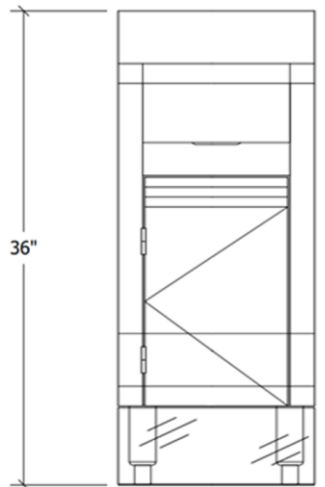


Note: Customizable Bottle Divider for this unit available by request

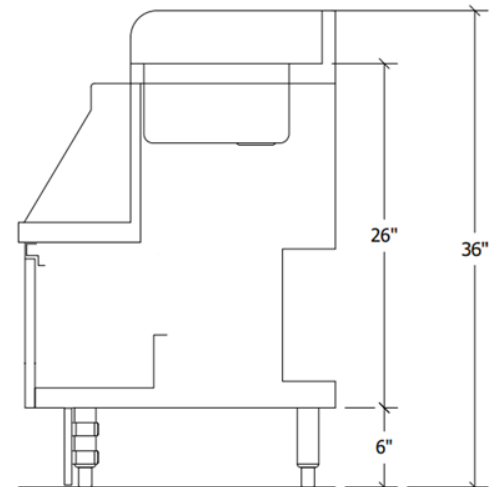
MAIN SCALE: 1 SECTION SCALE: 1



PLAN VIEW



FRONT VIEW



SIDE VIEW

Download the full-page PDF Cut Sheet for this item at eurobarstation.com/EBIBW18ICEDBTLWELL



24" ICED BOTTLE WELL (Commonly used for juice/elixir btls)

Model: **EBIBW24**

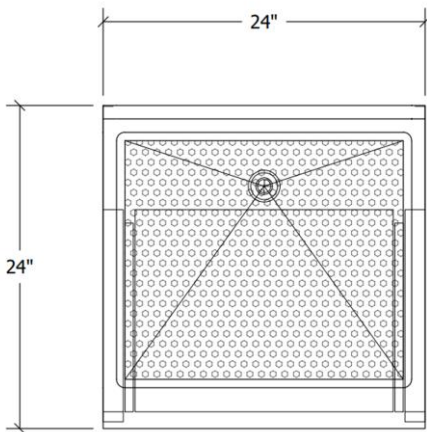
PRODUCT DETAIL

- Length** 24"
- Depth** 24"
- Features** 6" Deep Bowl Depth
Used for Quick-grab liquor, juice & wine bottles
Bottom cabinet drawer fits full size bottles

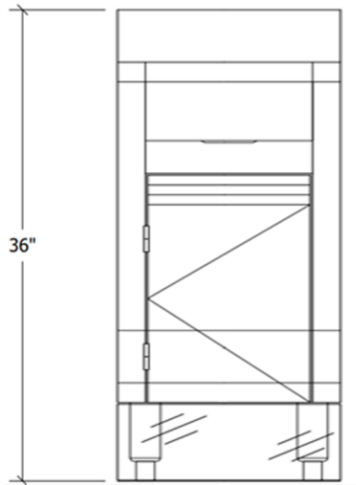


Note: Customizable Bottle Divider for this unit available by request

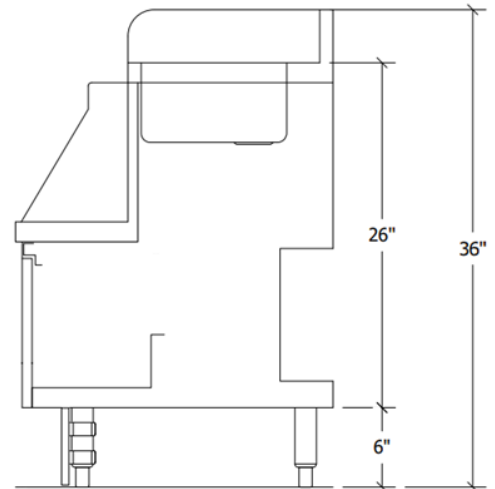
MAIN SCALE: 1 SECTION SCALE: 1



PLAN VIEW



FRONT VIEW



SIDE VIEW

Download the full-page PDF Cut Sheet for this item at: eurobarstation.com/EBIBW24ICEDBTLWELL



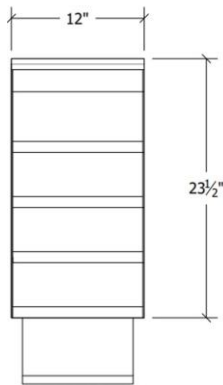
12" UNDERBAR LIQUOR DISPLAY
Model: EBULD12

PRODUCT DETAIL

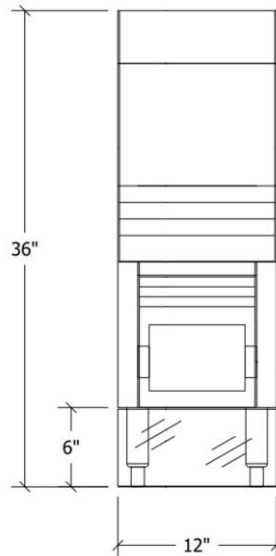
Length	12"
Depth	24"
Liquor Bottles	9 - 12
Features	Tiered bottle storage system that is easily accessible for bartenders. Sound deadening technology.



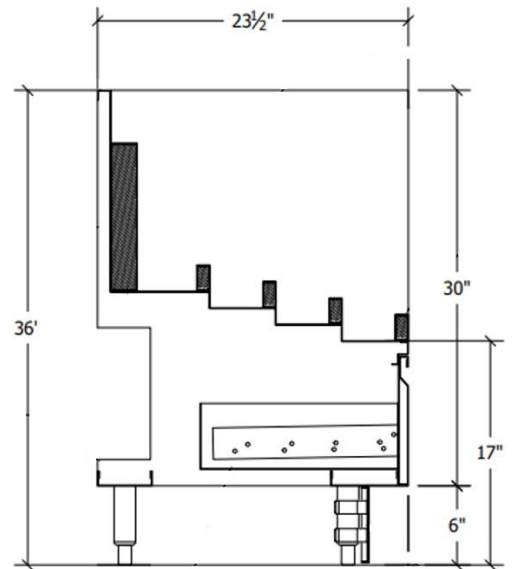
MAIN SCALE: 1 SECTION SCALE: 1



PLAN VIEW



FRONT VIEW



SIDE VIEW

Download the full-page PDF Cut Sheet for this item at: eurobarstation.com/EBULD12UNDRBRLIQDISP



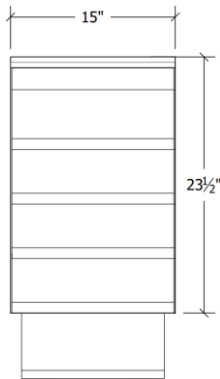
15" UNDERBAR LIQUOR DISPLAY
Model: EBULD15

PRODUCT DETAIL

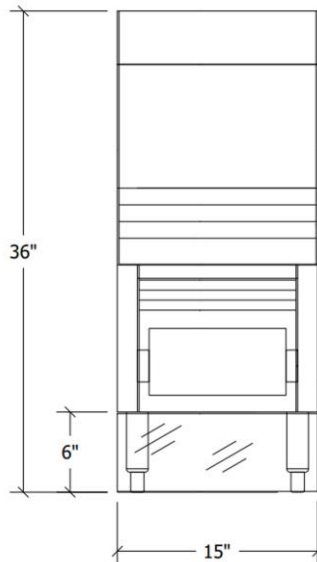
Length	15"
Depth	24"
Liquor Bottles	11 - 16
Features	Tiered bottle storage system that is easily accessible for bartenders. Sound deadening technology.



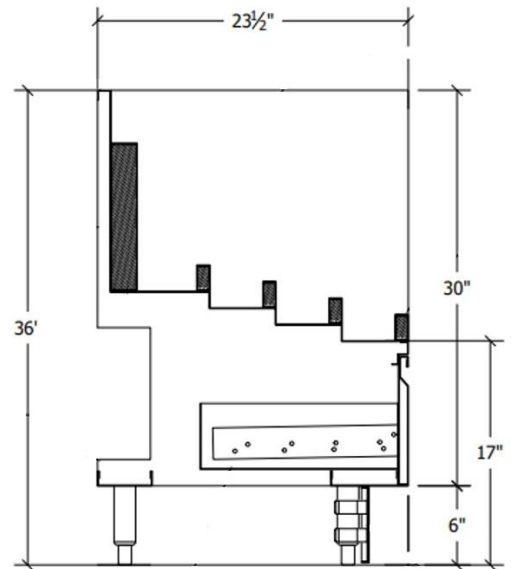
MAIN SCALE: 1 SECTION SCALE: 1



PLAN VIEW



FRONT VIEW



SIDE VIEW

Download the full-page PDF Cut Sheet for this item at: eurobarstation.com/EBULD12UNDRBRLIQDISP



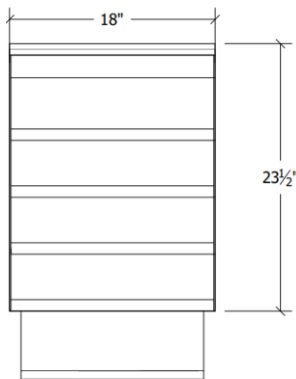
18" UNDERBAR LIQUOR DISPLAY
Model: EBULD18

PRODUCT DETAIL

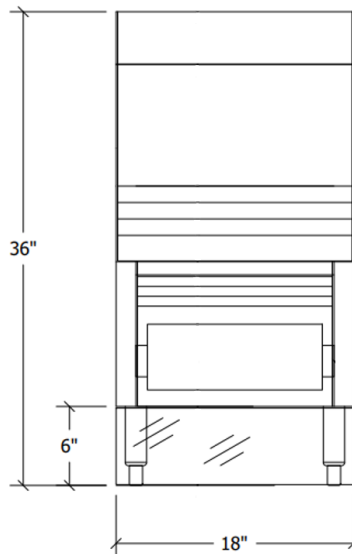
Length	18"
Depth	24"
Liquor Bottles	14 - 18
Features	Tiered bottle storage system that is easily accessible for bartenders. Sound deadening technology.



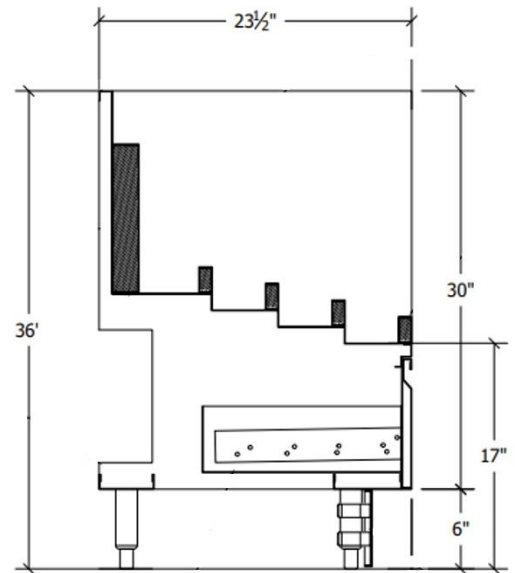
MAIN SCALE: 1 SECTION SCALE: 1



PLAN VIEW



FRONT VIEW



SIDE VIEW

Download the full-page PDF Cut Sheet for this item at: eurobarstation.com/EBULD18UNDRBRLIQDISP



24" UNDERBAR LIQUOR DISPLAY

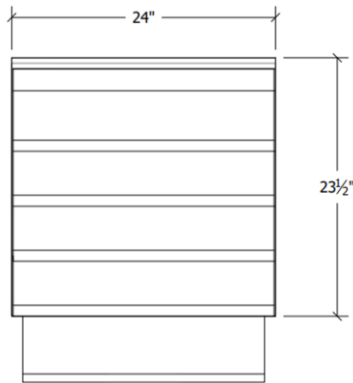
Model: EBULD24

PRODUCT DETAIL

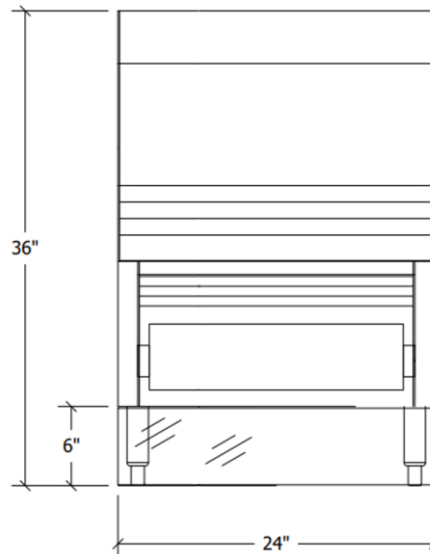
Length	24"
Depth	24"
Liquor Bottles	20 - 24
Features	Tiered bottle storage system that is easily accessible for bartenders. Sound deadening technology.



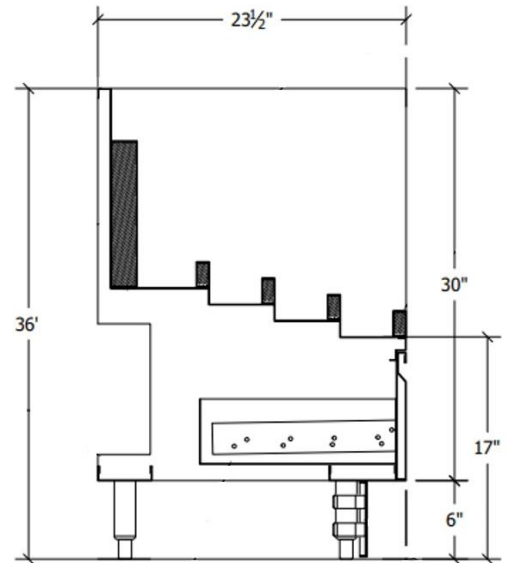
MAIN SCALE: 1 SECTION SCALE: 1



PLAN VIEW



FRONT VIEW



SIDE VIEW

Download the full-page PDF Cut Sheet for this item at: eurobarstation.com/EBULD24UNDRBRLIQDISP



MAIN WORKSTATION

Model: **EBMWS36**

PRODUCT DETAIL

Length 36"

Depth 24"

Features

Metal utility box for duplex receptacle mount.

Integrated iced condiment trays**

Rinser and drainboard.

Rectangular dipper well.

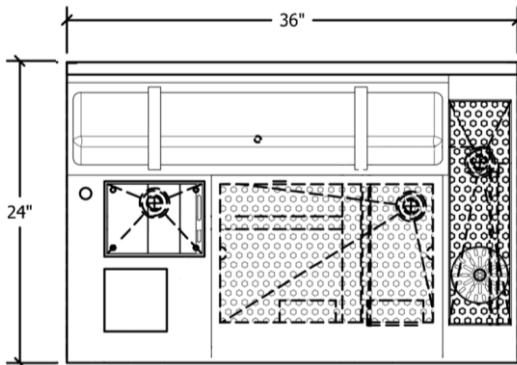
Trash Chute with internal Trash Can**. 8 Bottle Quick-grab drawer included.

2 towel nooks (for bartop and hands).

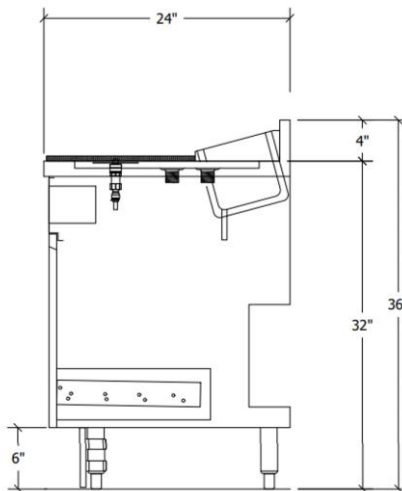
** Trash Can and Garnish Pans sold separately – see page 46



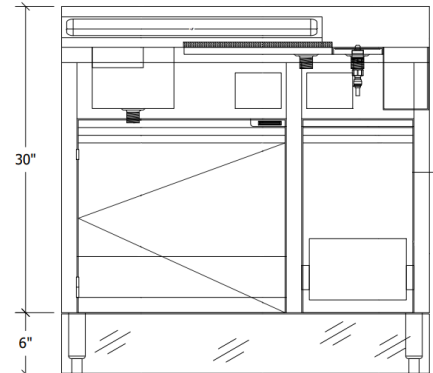
MAIN SCALE: 1 SECTION SCALE: 1



PLAN VIEW

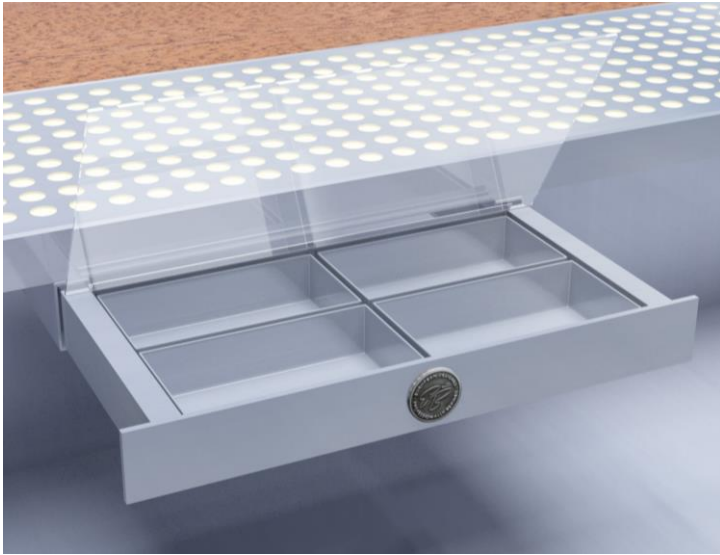


FRONT VIEW



SIDE VIEW

Download the full-page PDF Cut Sheet for this item at: eurobarstation.com/EBMWS36MAINSTN

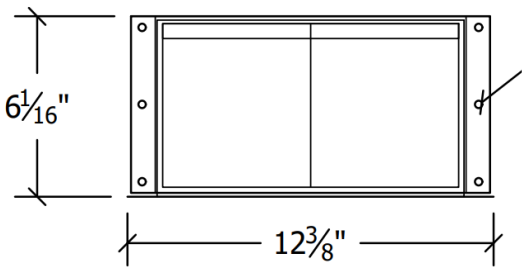


SPICE CADDY
Model: **EBSC12**

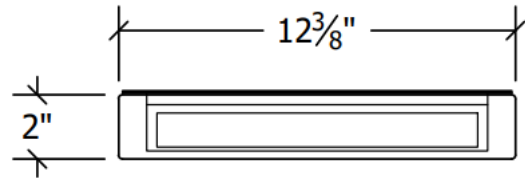
PRODUCT DETAIL

Height	1"
Length	12"
Depth	5"
Features	Customizable metal Partitions Bottom cabinet area included

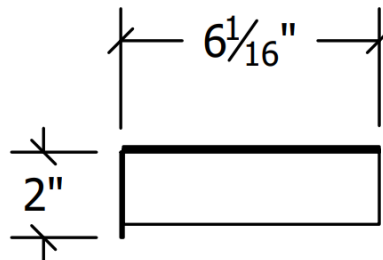
MAIN SCALE: 1 SECTION SCALE: 1



PLAN VIEW



SIDE VIEW



FRONT VIEW

Download the full-page PDF Cut Sheet for this item at: eurobarstation.com/EBSC12SPICECADDY/

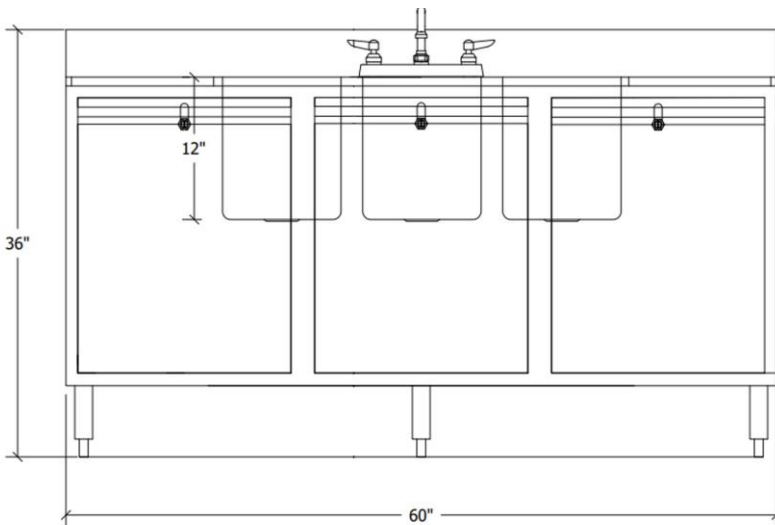


**19" DEEP 3
COMPARTMENT SINK**
Model: **EB3CS19**

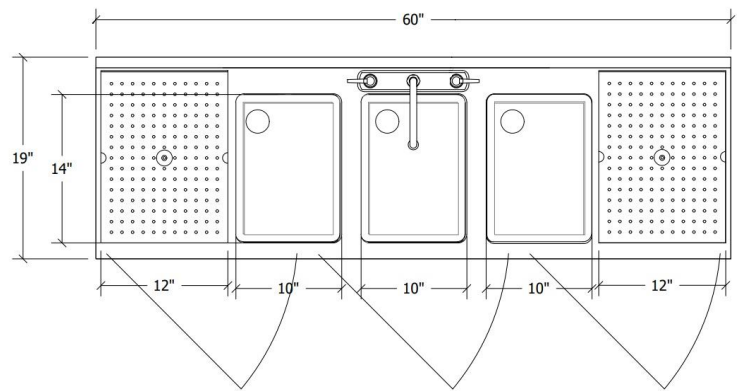
PRODUCT DETAIL

Length	60"
Depth	19"
Features	Drainboards on both sides Bottom cabinet area included

MAIN SCALE: 1 SECTION SCALE: 1



FRONT VIEW



SIDE VIEW

Download the full-page PDF Cut Sheet for this item at: eurobarstation.com/EB3CS19THREECOMPSINK/

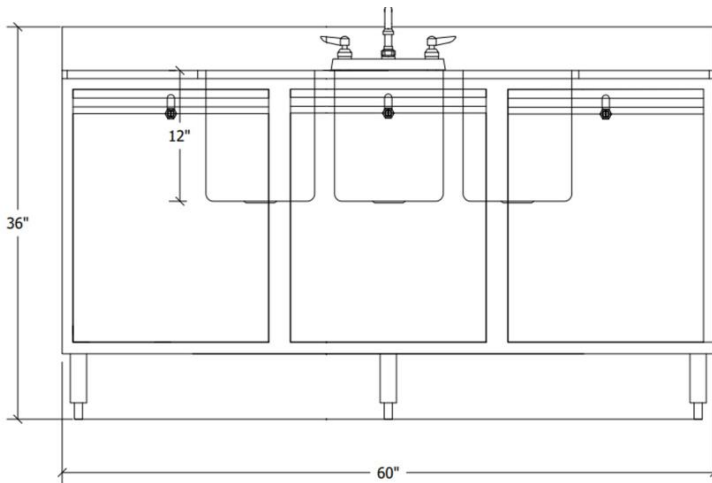


**24" DEEP 3
COMPARTMENT SINK**
Model: **EB3CS2460**

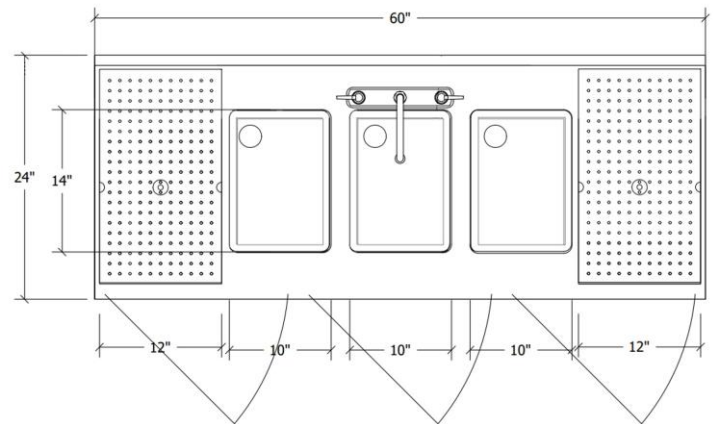
PRODUCT DETAIL

Length	60"
Depth	24"
Features	Drainboards on both sides Bottom cabinet area included

MAIN SCALE: 1 SECTION SCALE: 1



FRONT VIEW



SIDE VIEW

Download the full-page PDF Cut Sheet for this item at: eurobarstation.com/EB3CS24THRECOMP/SINK/



HAND SINK

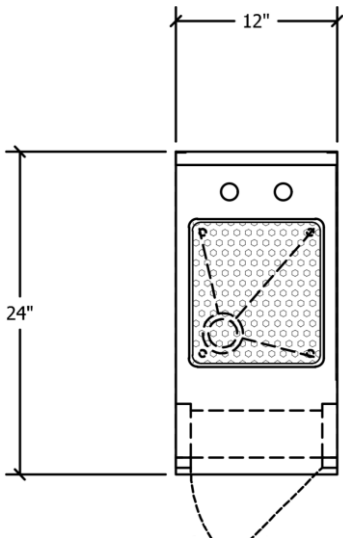
Model: **EBHS12**

PRODUCT DETAIL

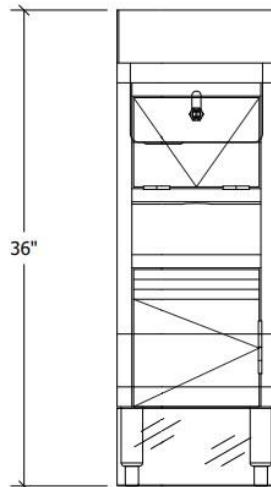
Length	12"
Depth	24"
Faucet Mounted	Various 4" Faucets available
Drain Size	1/2" NPT
Bowl Size	10"W x 11"D x 6" deep
Includes	Faucet, drains & overflows
	Bottom cabinet area



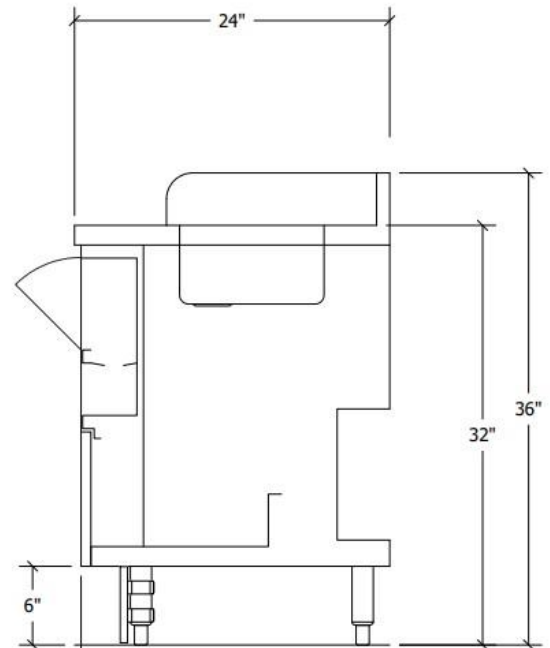
MAIN SCALE: 1 SECTION SCALE: 1



PLAN VIEW



FRONT VIEW



SIDE VIEW

Download the full-page PDF Cut Sheet for this item at: eurobarstation.com/EBHS12HANDSINK



UNDERBAR FREE SPACE UNIT

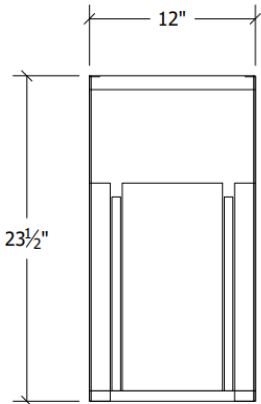
Model: **EBFSU12**

PRODUCT DETAIL

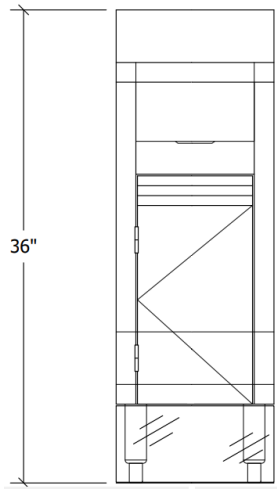
Length	12"
Depth	24"
Free Surface Area	23" x 11"
Features	Sound deadening technology



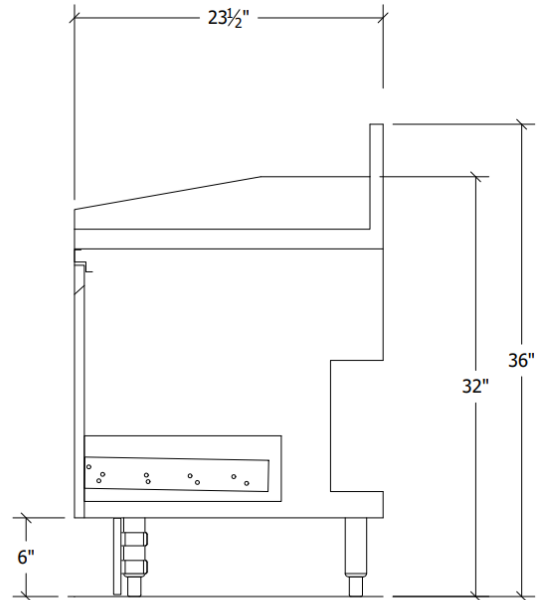
MAIN SCALE: 1 SECTION SCALE: 1



PLAN VIEW



FRONT VIEW



SIDE VIEW

Download the full-page PDF Cut Sheet for this item at: eurobarstation.com/EBFSU12FREESURFW-DWR



UNDERBAR FREE SPACE UNIT

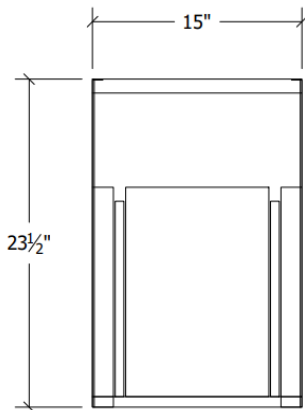
Model: **EBFSU15**

PRODUCT DETAIL

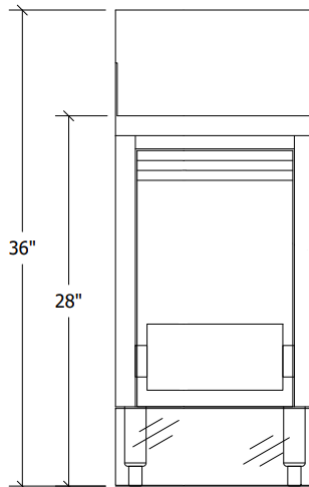
Length	15"
Depth	24"
Free Surface Area	23" x 14"
Features	Sound deadening technology



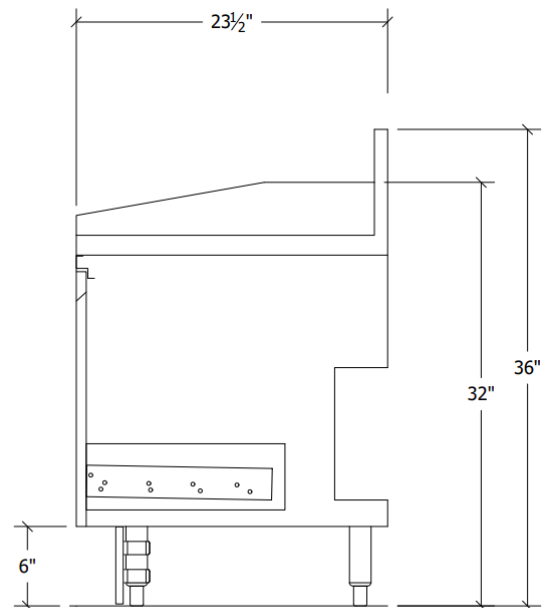
MAIN SCALE: 1 SECTION SCALE: 1



PLAN VIEW



FRONT VIEW



SIDE VIEW

Download the full-page PDF Cut Sheet for this item at: eurobarstation.com/EBFSU15FREESURW-DWR



UNDERBAR FREE SPACE UNIT

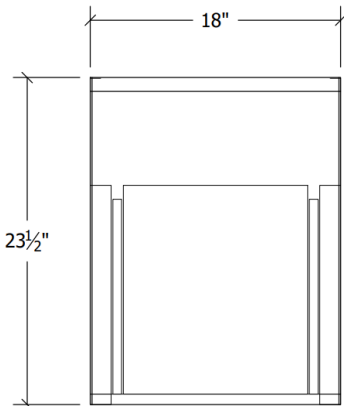
Model: **EBFSU18**

PRODUCT DETAIL

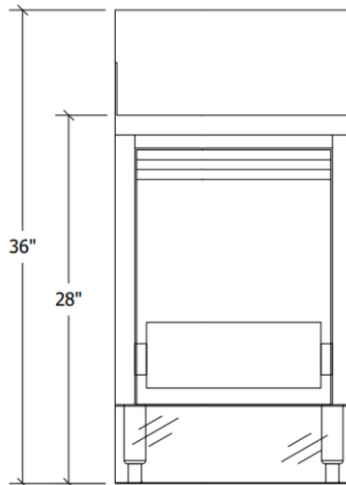
Length	18"
Depth	24"
Free Surface Area	23" x 17"
Features	Sound deadening technology



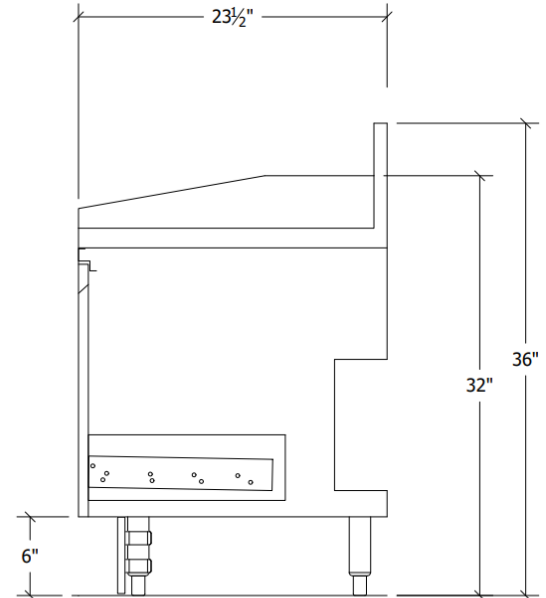
MAIN SCALE: 1 SECTION SCALE: 1



PLAN VIEW



FRONT VIEW



SIDE VIEW

Download the full-page PDF Cut Sheet for this item at: eurobarstation.com/EBFSU18FREESURW-DWR



UNDERBAR FREE SPACE UNIT

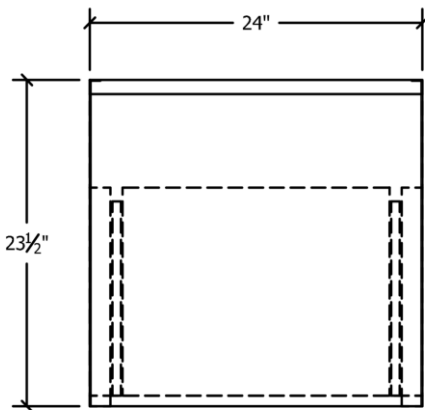
Model: **EBFSU24**

PRODUCT DETAIL

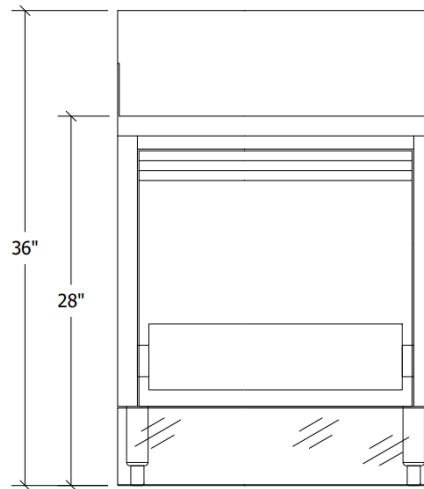
Length	24"
Depth	24"
Free Surface Area	23" x 23"
Features	Sound deadening technology



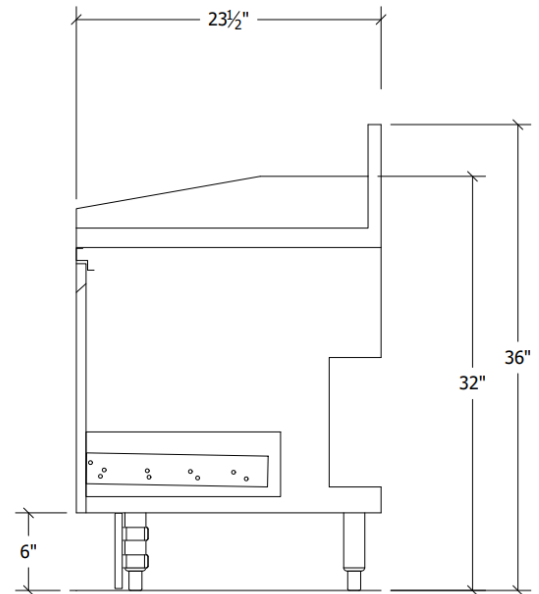
MAIN SCALE: 1 SECTION SCALE: 1



PLAN VIEW



FRONT VIEW



SIDE VIEW

Download the full-page PDF Cut Sheet for this item at: eurobarstation.com/EBFSU24FREESURW-DWR



SODA GUN FILLER SECTION

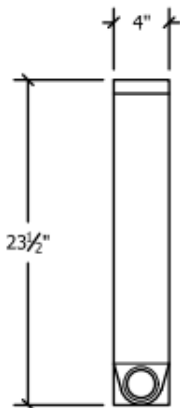
Model: **EBSGF4**

PRODUCT DETAIL

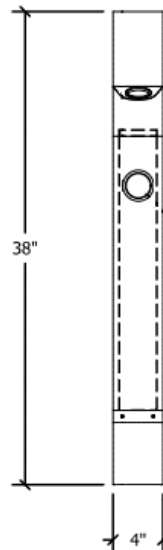
Length	4"
Depth	24"
Construction	304 Stainless Steel
Features	Universal Mounting Brackets accepts 8-14 product manifolds



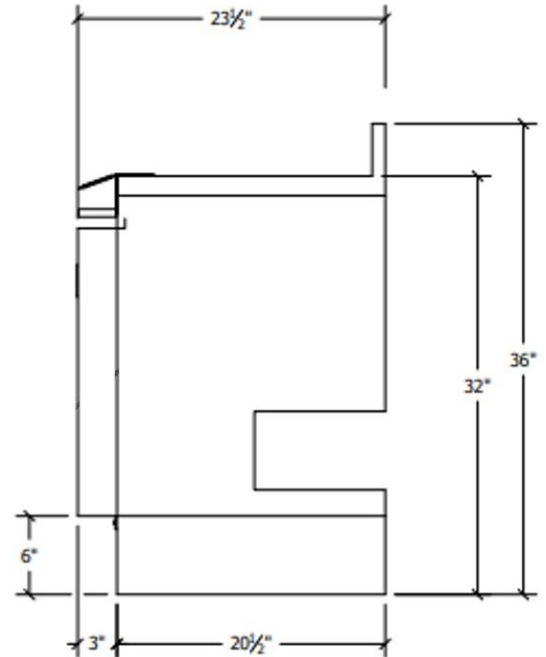
MAIN SCALE: 1 SECTION SCALE: 1



PLAN VIEW



FRONT VIEW



SIDE VIEW

Download the full-page PDF Cut Sheet for this item at: eurobarstation.com/EBSGF4SODAGUNFILLER



RETRACTABLE SODA GUN FILLER SECTION

Model: **EBSGF4R**

PRODUCT DETAIL

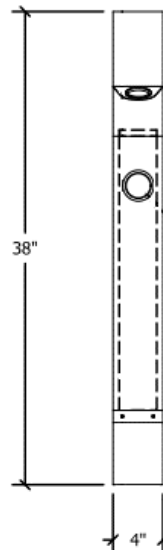
Length	4"
Depth	24"
Construction	Stainless Steel
Features	Universal Mounting Brackets accepts 8-14 product manifolds



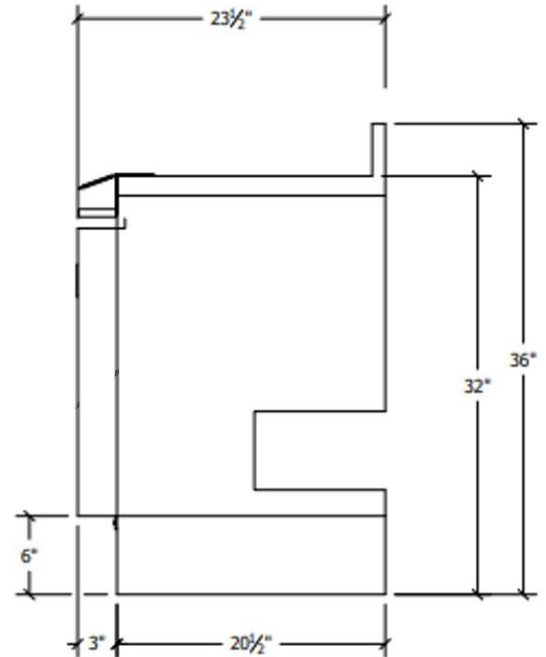
MAIN SCALE: 1 SECTION SCALE: 1



PLAN VIEW



FRONT VIEW



SIDE VIEW

Download the full-page PDF Cut Sheet for this item at: eurobarstation.com/EBSGF4SODAGUNFILLER



TRASH BIN CABINET

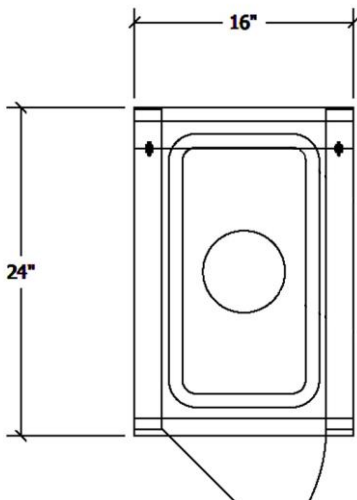
Model: EBTBC16

PRODUCT DETAIL

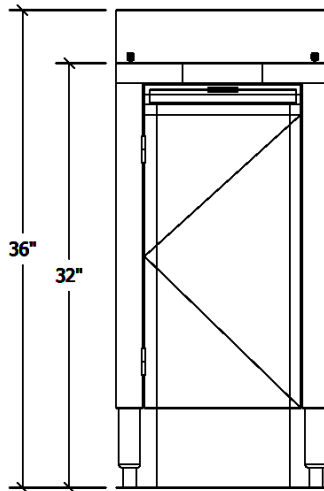
Length	16"
Depth	24"
Construction	Stainless Steel (See below)
Features	Fits 30" High Trash Can - Rubbermaid 354000BG (Recommended)



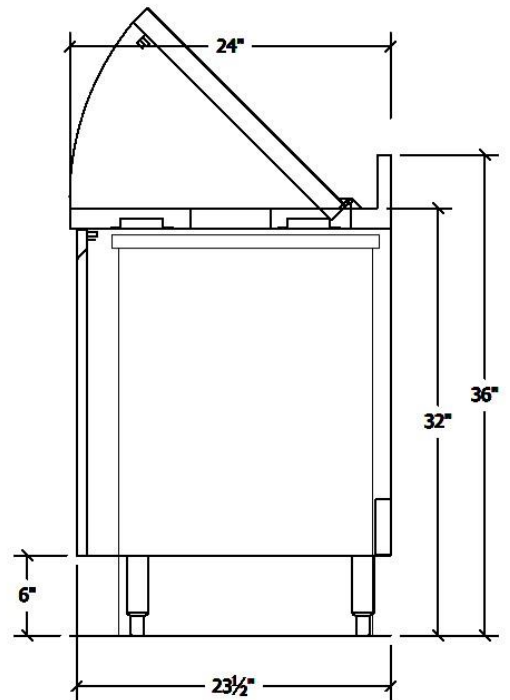
MAIN SCALE: 1 SECTION SCALE: 1



PLAN VIEW



FRONT VIEW



SIDE VIEW

Download the full-page PDF Cut Sheet for this item at: eurobarstation.com/EBTBC16UNDRBRTRASHCAB



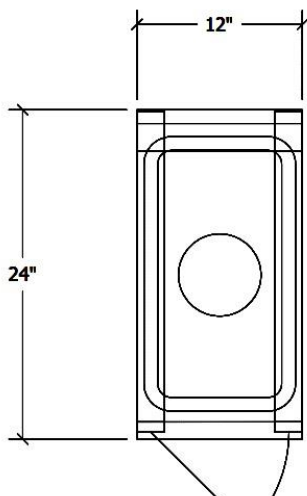
UNDERBAR TRASH UNIT FOR SLIM JIM

Model: EBTBU12

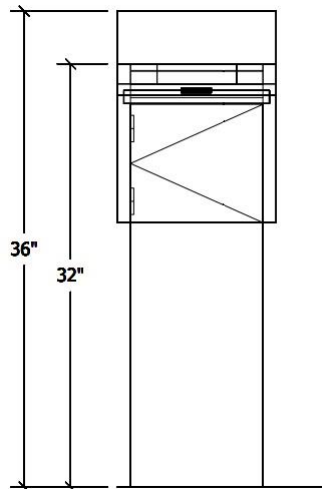
PRODUCT DETAIL

Length	12"
Depth	24"
Construction	304 Stainless Steel
Features	Fits 30" High Trash Can - Rubbermaid 354000BG (Recommended)

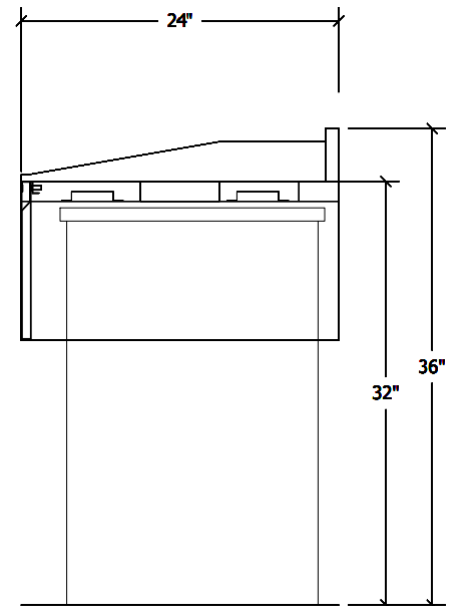
MAIN SCALE: 1 SECTION SCALE: 1



PLAN VIEW



FRONT VIEW



SIDE VIEW

Download the full-page PDF Cut Sheet for this item at: eurobarstation.com/EBTBU12UNDRBRTRASHCOVER

Accessories that allow you to customize your EuroBar experience
(Please note that we will require some additional info on some items to match your needs)

Juice / Elixir Bottle Divider
Available in different sizes



Model: **EBIBWBD**

Poly Board For Main Station



0.5." x 19.5" x 15"

Model: **EBPB.5**

Stainless Ice Bin Partitions
Available in different sizes



Model: **EBIBP**

Poly Board For Main Station



Model: **EBPB1**

1/9" Garnish Pans
Available in 2" or 4" depths



Model: **EB1/9GP**

1/6" Garnish Pans
Available in 2" or 4" depths



Model: **EB1/6GP**



Elevated Space for Better Taste



TESTIMONIALS

"I think they're great, love the amount of garnish storage, bar tools storage, the rinser and the back up liquor drawers..., love the convenience of the trash can hole in that drink prep station"

Josh Hollman, Bar Manager/Lead Bartender, Bowl Incline

"I tended bar abroad for many years and I missed the efficiency of having a prep surface area so much. Now thanks to the EuroBar I got my work surface back."

Armando Rosario, Bartender and Certified Master Mixologist

FOR MORE INFORMATION

Visit us at: EuroBarStation.com

We are constantly evolving and updating this product book.

Scan this QR Code for our latest version!



EuroBar®